

the focused
Deveraux

Specification & Pricing Guide

version 2.01

1/1/2017



Table of Contents

Ordering Information

Ordering Information Checklist.....	4
-------------------------------------	---

Specifications Guide

Top Specifications.....	6
Table Size Specifications.....	7
Carrel Size Specifications.....	7
Leg Specifications	7
Keel and Panel Specifications.....	8
Shelf Specifications	9
Divider Specifications	9
Electrical / Power.....	10
Terminology and Tips.....	11
LIAT Shipping Zones	12
Shipping Pricing Guide.....	12
Pricing Guide Tutorial	14
Rectangle (Panel) Build Guide	18
Rectangle (Panel) Pricing Guide	19
Rectangle (Leg) Build Guide	20
Rectangle (Leg) Pricing Guide	21
Round (Leg) Build Guide.....	22
Round (Leg) Pricing Guide	23
Straight (Single Face) Build Guide	26
Straight (Single Face) Pricing Guide	27
Straight (Double Face) Build Guide.....	28
Straight (Double Face) Pricing Guide.....	29
Pod Build Guide.....	30
Pod Pricing Guide.....	31
Bullet Build Guide	32
Bullet Pricing Guide.....	33
Popular Combinations	34
Straight (Single Face) Build Guide	38
Straight (Single Face) Pricing Guide	39
Straight (Double Face) Build Guide.....	40
Straight (Double Face) Pricing Guide.....	41
Polygonal Build Guide	42
Polygonal Pricing Guide	43
Popular Combinations	44

Accessories

Built-In Power & Data	48
Built-In Power & Data	49
Add-On Power & Data	52
Add-On Power & Data	53
Add-On Power & Data	54
Add-On Power & Data	55
Add-On Wire Management	56
Monitor Arms & CPU Holders	57

Terms and Conditions

Deveraux Terms and Conditions	58
GSA Terms and Conditions	60

Ordering Information

Ordering Information Checklist

Use this checklist to be sure you have all of the necessary information to order your Deveraux unit.

Catalog Number

Use our build guides to create your Deveraux catalog number.

Wood Species

Oak
Maple

Wood Finish

Maple

Amber Cherry | ACM
Amber Maple | AMM
Carmel Maple | CMM
Dark Mahogany | DMM
Light Cherry | LCM
Medium Cherry | MCM
Medium Mahogany | MMM
Medium Walnut | MWM
Natural Maple | NMM
Montana Walnut | OWM
Versailles Anigre | VAM

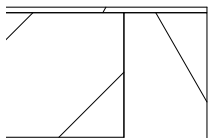
Oak

Dark Mahogany | DMO
Golden Oak | GOO
Light Cherry | LCO
Medium Oak | MOO
Medium Cherry | MCO
Medium Walnut | MWO
Medium Mahogany | MMO
Natural Oak | NOO

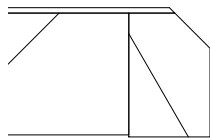
Color Stain

Blue
Green
Orange
Red
Yellow

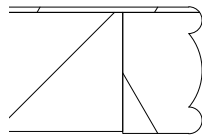
Edge Detail



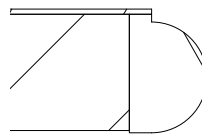
A



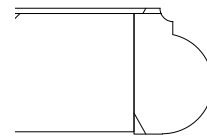
B



C



E



I

Laminate Selection

Standard Wilsonart, Formica, Nevamar or Pionite. Please specify manufacturer, color, and model number.

Accessories

① LIAT Finish Match Suggestions

LIAT Wood Finish	Laminate	PVC Edge
Amber Cherry on Maple ACM	Wilsonart Amber Cherry 7919K-60	Amber Cherry AC-PVC
Amber Maple on Maple AMM	Formica Natural Teak 8849-58	Natural Teak NT-PVC
Carmel Maple on Maple CMM	–	–
Dark Mahogany on Maple DMM	–	–
Light Cherry on Maple LCM	Wilsonart Huntington Maple 7929-60	Huntington Maple HM-PVC
Medium Cherry on Maple MCM	–	–
Medium Mahogany on Maple MMM	–	–
Medium Walnut on Maple MWM	–	–
Natural Maple on Maple NMM	Wilsonart Kensington Maple 10776-60	Kensington Maple KM-PVC
Montana Walnut on Maple OWM	Wilsonart Montana Walnut 7110K-60	Montana Walnut MW-PVC
Versailles Anigre on Maple VAM	Wilsonart Versailles Anigre 7923K-60**	Versailles Anigre VA-PVC
Dark Mahogany on Oak DMO	Wilsonart Cafelle 7933K-60**	Cafelle CA-PVC
Golden Oak on Oak GOO	Wilsonart Nepal Teak 7209K-60	Nepal Teak NP-PVC
Light Cherry on Oak LCO	–	–
Medium Oak on Oak MOO	–	–
Medium Cherry on Oak MCO	Wilsonart Windsor Mahogany 7039K-60	Windsor Mahogany WM-PVC
Medium Walnut on Oak MWO	Wilsonart Hampton Walnut 7959K-38**	Hampton Walnut HW-PVC
Medium Mahogany on Oak MMO	Pionite Jewel Mahogany WY351-N	–
Natural Oak on Oak NOO	Formica Natural Oak 346	Natural Oak NO-PVC
–	Wilsonart Black 1595-60	Black BK-PVC
–	Wilsonart Fashion Grey D381-60	Fashion Grey FG-PVC
–	Wilsonart Frosty White 1573-60	Frosty White FW-PVC
–	Wilsonart North Sea D90-60	North Sea NS-PVC
–	Wilsonart Slate Grey D91-60	Slate Grey SG-PVC

(–) a suggested match is not available.

**indicates premium pricing, please contact project management for more information.

Specifications Guide

Top Specifications

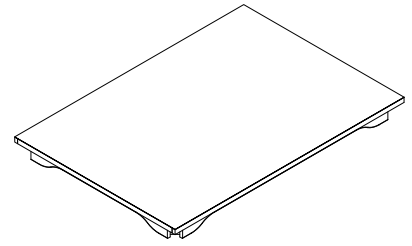
Leg Base Table Top

Tops - The tops shall be **1-1/8" thick**, particle board core.

Laminate - **.050" thick** high pressure laminate top surface and a phenolic backing sheet.

Edges - The edges shall be internally banded with a **3/4" wide flush edge band**.

External flush edges are available for an upcharge.



Carrel Top

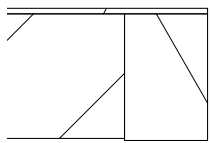
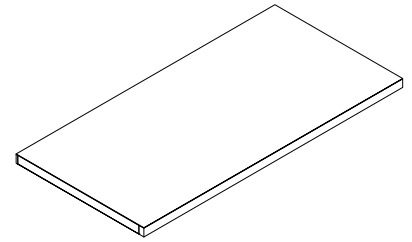
Tops - The tops shall be **1-1/8" thick**, particle board core.

The top will not be flush with the carrel back panel and will include a 2" cord drop on the back side to allow for wire management.

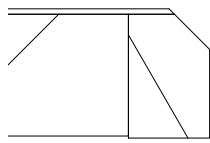
Laminate - **.050" thick** high pressure laminate top surface and a phenolic backing sheet.

Edges - The edges shall be internally banded with a **3/4" wide drop edge band** on the user's side. The back edge shall be internally banded with a **1/4" solid hardwood band**.

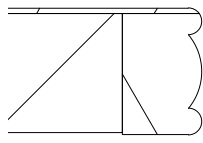
External edges are available for an upcharge.



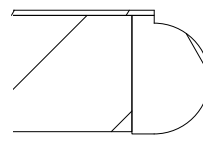
A



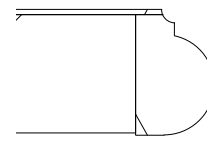
B



C



E



I

Internal Edge Profiles

Edge details **shall be specified at time of order** and are available in the "A", "B", "C", "E", and "I" profiles.

Pod computer tables are only available with an "A" edge profile.

Apron Frames

The apron rail shall be constructed of **3" wide x 3/4" thick** solid hardwood with a **1/8" radius** on the bottom edge. The connection of the apron rails to the legs shall provide an integral space frame construction. All four apron rails shall be shaped with a **6" arch** on either side to be **1-1/4"** in the middle to ensure **ADA compliance**. The apron rails shall attach to each other using solid hardwood corner blocks, and the frame shall attach to the tops using **1-1/2"** wood screws.

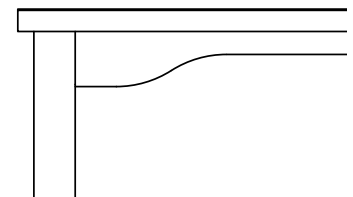


Table Size Specifications

Table Height

Height - 29".

Additional heights of 25", 27", and 36" are available upon request.

Leg base study tables are also available at 39" upon request.

Table Width

See specific sections for available table widths.

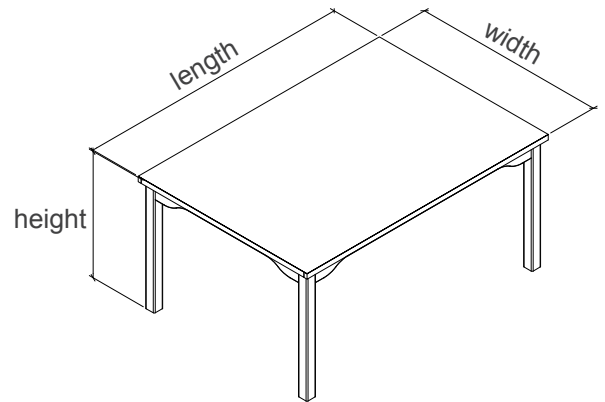
Width selection may vary from the actual overall footprint width.

Table Length

See specific sections for available table lengths.

Length selection may vary from the actual overall footprint length.

Tables **60" in length** and longer will receive a **14 gauge channeled stress bar** for added support.



Carrel Size Specifications

Carrel Height

Height - 29".

Overall Height - 48".

Additional top heights of 25", 32", and 39" are available upon request.

Carrel Width

See specific sections for available carrel widths.

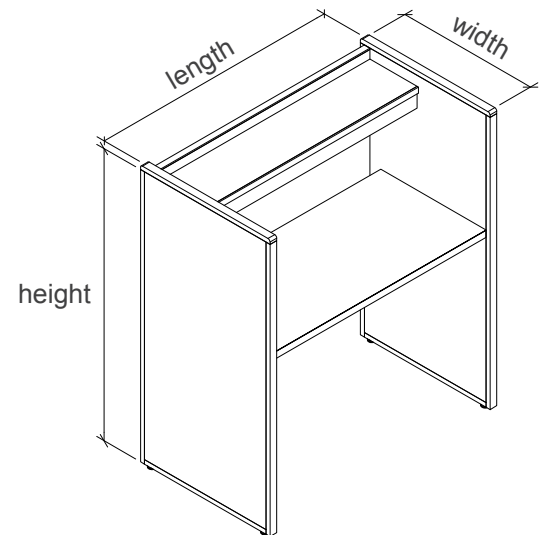
Width selection may vary from the actual overall footprint width.

Carrel Length

See specific sections for available carrel lengths.

Carrels **48" in length** and longer will receive a **14 gauge channeled stress bar** for added support.

Length selection may vary from the actual overall footprint length.



Leg Specifications

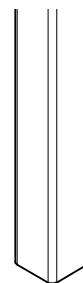
Table Legs

The legs shall be constructed of glued-up solids and shall be **2-1/4" square**.

All vertical edges shall have a **3/16" radius**, and the bottom edges shall be eased.

The legs attach to the aprons with two **3" lag bolts** passing through a solid hardwood corner block, and tightened with lock washers and hex nuts.

Any table **longer than 72"** shall receive an additional leg for added support.



Glides

Each leg shall be fitted with two **1-1/4"** diameter rubber cushioned adjustable leveling glides with a **15/16"** stem.

Keel and Panel Specifications

Table Keels

Panel base study tables shall include two keels constructed of **1" thick** particle board core with grade **"A"** veneer faces and externally banded with a **1/4"** solid hardwood on the bottom side extending **6-1/2"** down from the top and spaced **6"** from one another.

The keels shall attach to the end panels by means of Mod-eez clips and shoulder screws, and to the top by means of angle mounting brackets and screws.

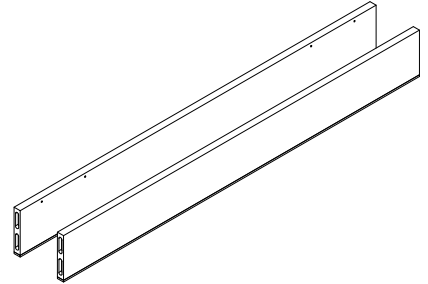


Table Back Panel

The back panel shall be constructed of **1" thick** particle board core with grade **"A"** veneer faces and externally banded with a **1/4"** solid hardwood on the bottom side.

The panel shall be captured inside of the end/intermediate panels and start **9-1/4"** above the ground extending to the bottom of the top.

The back panel shall attach to the end/intermediate panels by means of Mod-eez clips and shoulder screws and shall attach to the underside of the work surface by means of angle mounting brackets.

The back panels of double-faced units shall receive one pass-through grommet.

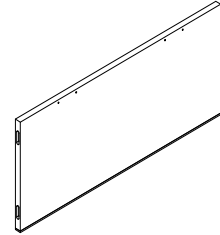


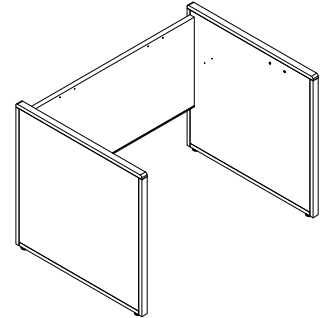
Table End and Intermediate Panel

The end and intermediate panels shall be constructed of **1-1/4"** thick particle board core with grade **"A"** veneer faces.

The panels shall be externally banded on all four edges with **3/4"** solids.

The panels shall protrude **1/2"** above the work surface and shall be attached to the top by means of a z-bar connector.

All intermediate panels shall include a grommet hole for wire passage.



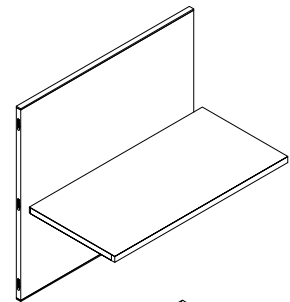
Carrel Back Panels

The back panel shall be constructed of **1" thick** particle board core with grade **"A"** veneer faces.

The back panel shall be externally banded on the top and bottom edges with **1/4"** solid hardwood bands.

The panel shall attach to the end panels by means of Mod-eez clips and shoulder screws.

The double face back panels shall receive one pass-through grommet.



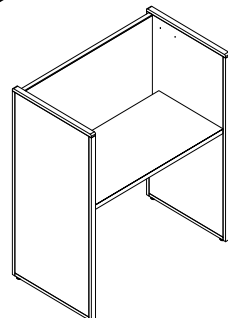
Carrel End and Intermediate Panels

The end and intermediate panels shall be constructed of **1-1/4"** thick particle board core with grade **"A"** veneer faces.

The panels shall be externally banded on all four edges with **3/4"** thick solid hardwood bands.

The panels shall be attached to the work surface by means of z-bar connectors.

All intermediate panels shall include a grommet hole for wire passage.



Shelf Specifications

Shelf

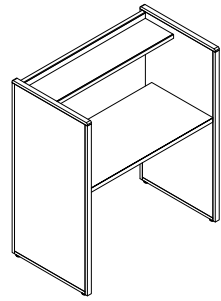
The shelf shall be **9"** deep and constructed of **1"** thick particle board core with grade **"A"** veneer faces.

The front edge shall be externally banded with a **1/4"** eased solid hardwood band.

Each shelf shall attach to the end/intermediate panels by means of shoulder screws and Mod-eez clips, and secured to the back panels by means of an embedded connector.

All carrels shall receive a shelf, available as a top shelf or bottom shelf.

The shelf location must be specified at the time of order.

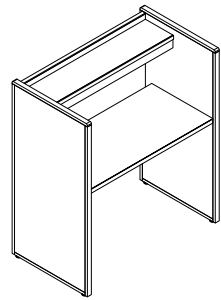


Valance Shelf

Any top shelf will also receive a valance, which shall be constructed of **1"** thick particle board core with grade **"A"** veneer faces.

The bottom edge shall be externally banded with a **1/4"** eased solid hardwood band.

The valance shall extend **2-1/2"** below the shelf, and attach by means of **(3) wood screws** passing through the valance and into the shelf.



Divider Specifications

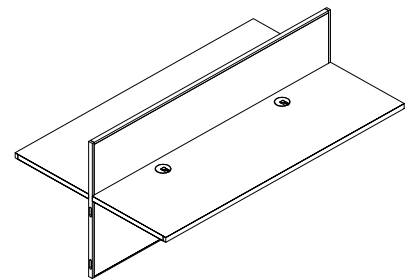
Wood Divider

The wood divider replaces the back panel and shall be constructed of **1"** thick particle board core with grade **"A"** veneer faces and be externally banded with a **1/4"** solid hardwood band on the bottom side, and **1/2"** solid hardwood bands on the other sides.

The panel shall be captured inside of the end/intermediate panels and start **9-1/4"** above the ground extending above top, available at **8"**, **12"**, and **16"** high.

The panel shall attach to the end/intermediate panels by means of Mod-eez clips and shoulder screws and shall attach to the underside of the work surface by means of z-bar connectors.

The wood dividers of double-faced units shall receive one pass-through grommet underneath the work surface.



Acrylic Divider

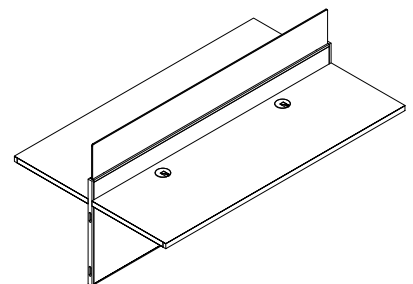
The acrylic divider replaces the back panel and shall be constructed of **1"** thick particle board core with grade **"A"** veneer faces and be externally banded with a **1/4"** solid hardwood band on the bottom side, and **1/2"** solid hardwood bands on the other sides.

The top of the panel shall have a **1/4"** route to accept a **1/4"** thick clear acrylic panel, frosted both sides, extending **8"**.

The panel shall be captured inside of the end/intermediate panels and start **9-1/4"** above the ground extending above top, available at **12"**, **16"**, and **20"** high.

The panel shall attach to the end/intermediate panels by means of Mod-eez clips and shoulder screws and shall attach to the underside of the work surface by means of z-bar connectors.

The acrylic dividers of double-faced units shall receive one pass-through grommet underneath the work surface.



Electrical / Power

Electrical / Power

There are several standard table-top electrical options complete with power outlets, data ports, and/or USB ports.

See the accessories for standard offerings, or contact project management to customize your desired configurations.

Wire Manager Leg

Table legs are available as a wire manager leg and shall be constructed of glued-up solids and shall be **2-1/4"** square.

All vertical edges shall have a **3/16"** radius, and the bottom edges shall be eased.

The leg shall be routed out to allow wires to pass through, and a removable veneer covered metal strip will attach to the leg by means of **(6) wood screws** to hide the wires.

The legs attach to the underside of the table tops through a **1/4"** thick **5" x 5"** steel plate.

The plate attaches to the leg with two bolts threading into a barrel nut inserted into the leg.

The plate attaches to the underside of the table top with **(5) 5/16" x 1"** machine bolts engaging threaded inserts.

*Any table longer than **72"** shall receive an additional leg for added support.*

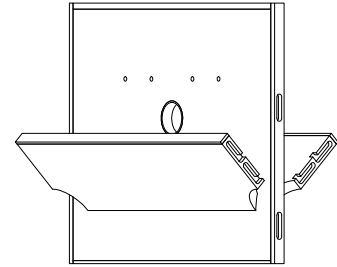


Wire Manager Tray

All computer tables shall include a wire manager trough constructed of **1"** thick particle board core with grade **"A"** veneer faces and externally banded with a **1/4"** solid hardwood on the top edge.

The trough shall attach to the end panels by means of Mod-eez clips and shoulder screws at a **45°** angle with mouse holes on either side.

*There should be at least **5"** space between the top and the trough for access to wires.*

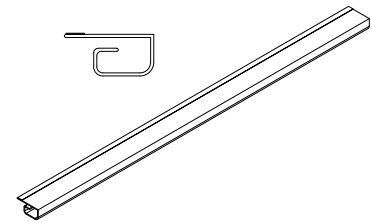


J-Wire Manager

All carrel and computer table products, as well as study tables **with a power cutout upgrade** are to **come standard** with one j-wire manager made of extruded plastic to hold wires.

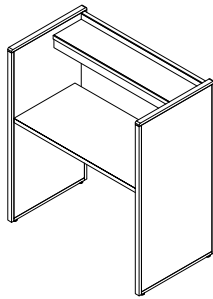
The j-wire manager is shipped loose and comes with double sided tape to assist with placement in the field.

All j-wire managers must be installed with the included screws.



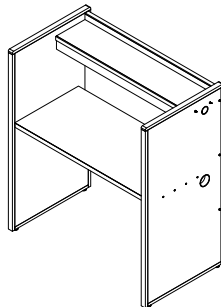
Terminology and Tips

The following guide is provided as a reference to some of LIAT's **Deveraux Carrel terminology** along with tips to help with the planning process.



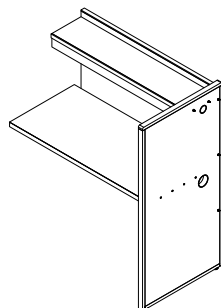
ISLAND

Island units are **stand-alone** or free-standing units.



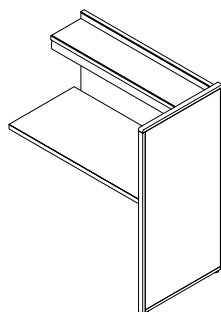
STARTER

Starter units act as a **starting point** for a run of desking units.
All starters must be ordered with an end unit.



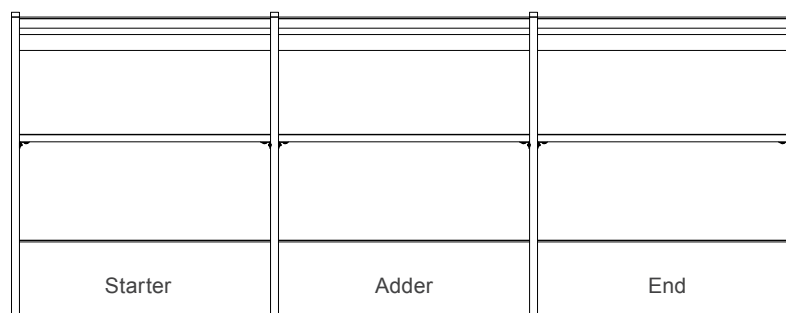
ADDER

Adder units act as an **extension** for a run of desking units.
All adders must be ordered with both a starter and an end unit.
There is no limit to the amount of adders allowed in a given run.



END

End units act as an **ending point** for a run of desking units.
All ends must be ordered with a starter unit.

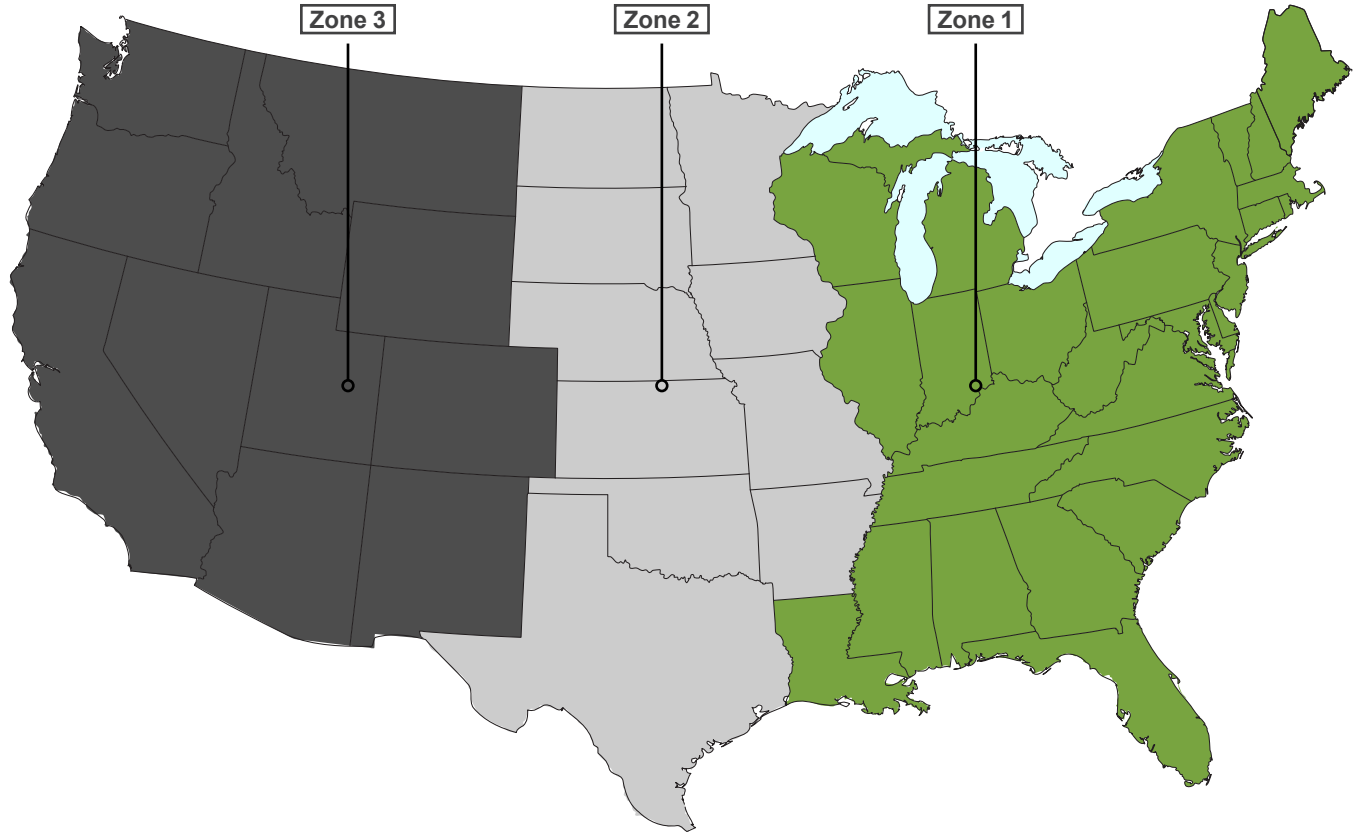


LIAT Shipping Zones

Shipping | Pricing Guide

Use the following guide to **determine the delivered pricing** for your LIAT furniture product by **selecting your zone** from the map and reviewing the price changes for each zone. To **determine your list price**, add your prices from your selected furniture and then **add the shipping cost based on your designated zone**.

USA



- Zone 1** No extra cost
- Zone 2** Add 4% to the list price
- Zone 3** Add 7% to the list price

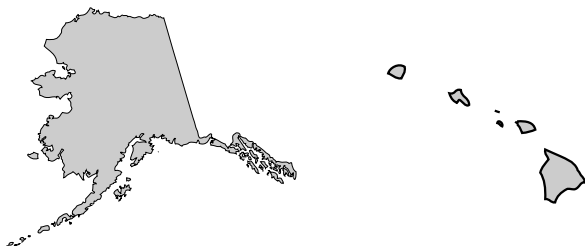
Zone 1 orders less than \$5,000 list will have a freight minimum fee of **\$375** list.

Zone 2 orders less than \$5,000 list will have a freight minimum fee of **\$375** list, plus **4%** of list

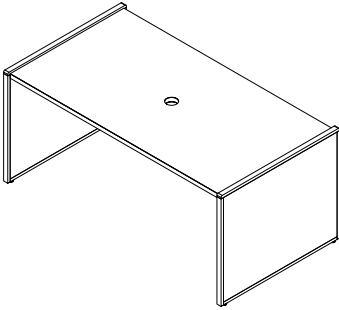
Zone 3 orders less than \$5,000 list will have a freight minimum fee of **\$375** list, plus **7%** of list

Hawaii, Alaska, and International

Note. This system does not apply to our international customers or those living in Alaska and Hawaii, **freight must be quoted separately for these orders.**



Example 1 Below \$5,000 list



DV-ST-3666-29-PB-PD

List Price - \$1,828

Nominal Size - 36" W x 66" L x 29" H

Actual Footprint -

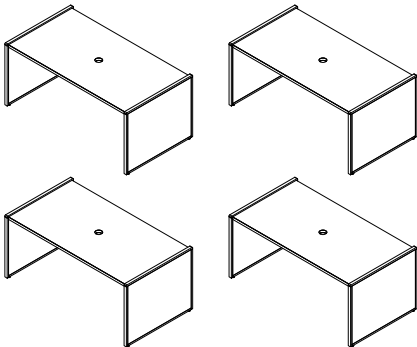
Power & Data - Node Power Unit

Leg Shape - Panel Based

Top Shape - Straight

- **Zone 1** List Price: \$1,828 + \$375(Flat fee) = **\$2,203**
- **Zone 2** List Price: \$1,828 + \$375(Flat fee) + \$73(4% of list) = **\$2,276**
- **Zone 3** List Price: \$1,828 + \$375(Flat fee) + \$128(7% of list) = **\$2,331**

Example 2 Above \$5,000 list



DV-ST-3666-29-PB-PD (more than one)

List Price - \$7,312

Nominal Size - 36" W x 66" L x 29" H

Actual Footprint -

Power & Data - Node Power Unit

Leg Shape - Panel Based

Top Shape - Straight

- **Zone 1** List Price: \$7,312 = **\$7,312**
- **Zone 2** List Price: \$7,312 + \$293(4% of list) = **\$7,604**
- **Zone 3** List Price: \$7,312 + \$512(7% of list) = **\$7,824**

*LIAT product is shipped knocked down (KD). Assembly in the field is required.

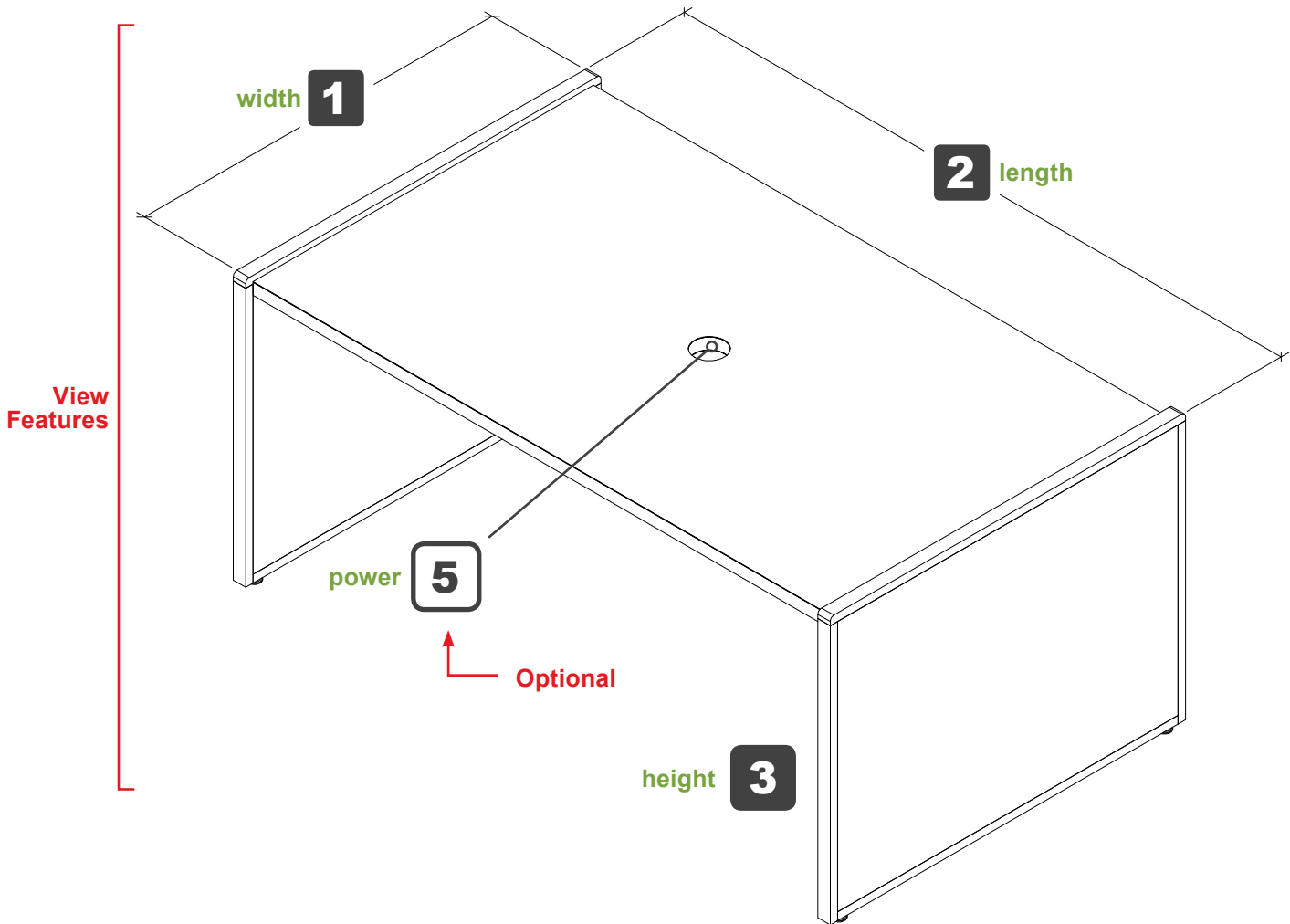
Pricing Guide Tutorial

How to use this pricing guide

These pages are a guide on how to build and customize your *Deveraux* table using this specification and pricing guide.



Required Selections



Unit Shown DV-ST-3660-29-PB-PD

Shown options creating a unique product code

List Price: \$1,837

Price of unit shown



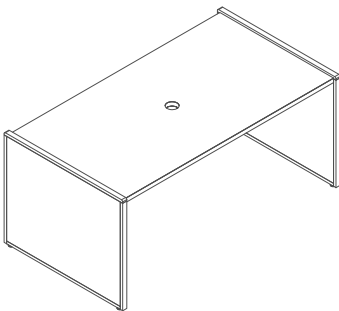
To compare various combinations, use price chart

Required Selections					
Component	Code	Description	36" Wide	42" Wide	48" Wide
1 Width	36	36" Wide Unit	\$0	-	-
	42	42" Wide Unit	-	\$0	-
	48	48" Wide Unit	-	-	\$0
2 Length	36	36" Long Unit	\$1,530	-	-
	42	42" Long Unit	\$1,610	\$1,778	-
	48	48" Long Unit	\$1,695	\$1,863	\$2,025
	60	60" Long Unit	\$1,791	\$1,959	\$2,121
	66	66" Long Unit	\$1,881	\$2,050	\$2,212
	72	72" Long Unit	\$1,962	\$2,130	\$2,292
3 Height	25	25" High Unit	\$0	\$0	\$0
	27	27" High Unit	\$0	\$0	\$0
	29	29" High Unit	\$0	\$0	\$0
	36	36" High Unit	\$218	\$252	\$292
4 Table Style	PB	Panel Base	\$0	\$0	\$0
Available Upgrades					
Component	Code	Description	36" Wide	42" Wide	48" Wide
5 Power	-PD	Power/Data Cutout	\$46	\$46	\$46

-Includes 1 cutout; Power unit ordered separately

DV-ST-3660-27-PB-PD

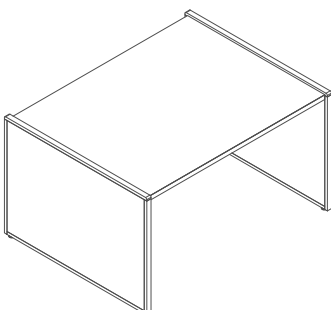
\$1,748



DV-ST-3666-29-PB-PD

List Price - \$1,927

Nominal Size - 36" W x 66" L x 29" H
 Actual Footprint - 36" W x 66" L x 29" H
 Power - Power/Data Cutout



DV-ST-4260-29-PB

List Price - \$1,959

Nominal Size - 42" W x 60" L x 29" H
 Actual Footprint - 42" W x 60" L x 29" H

Study Tables

engaging you with your work



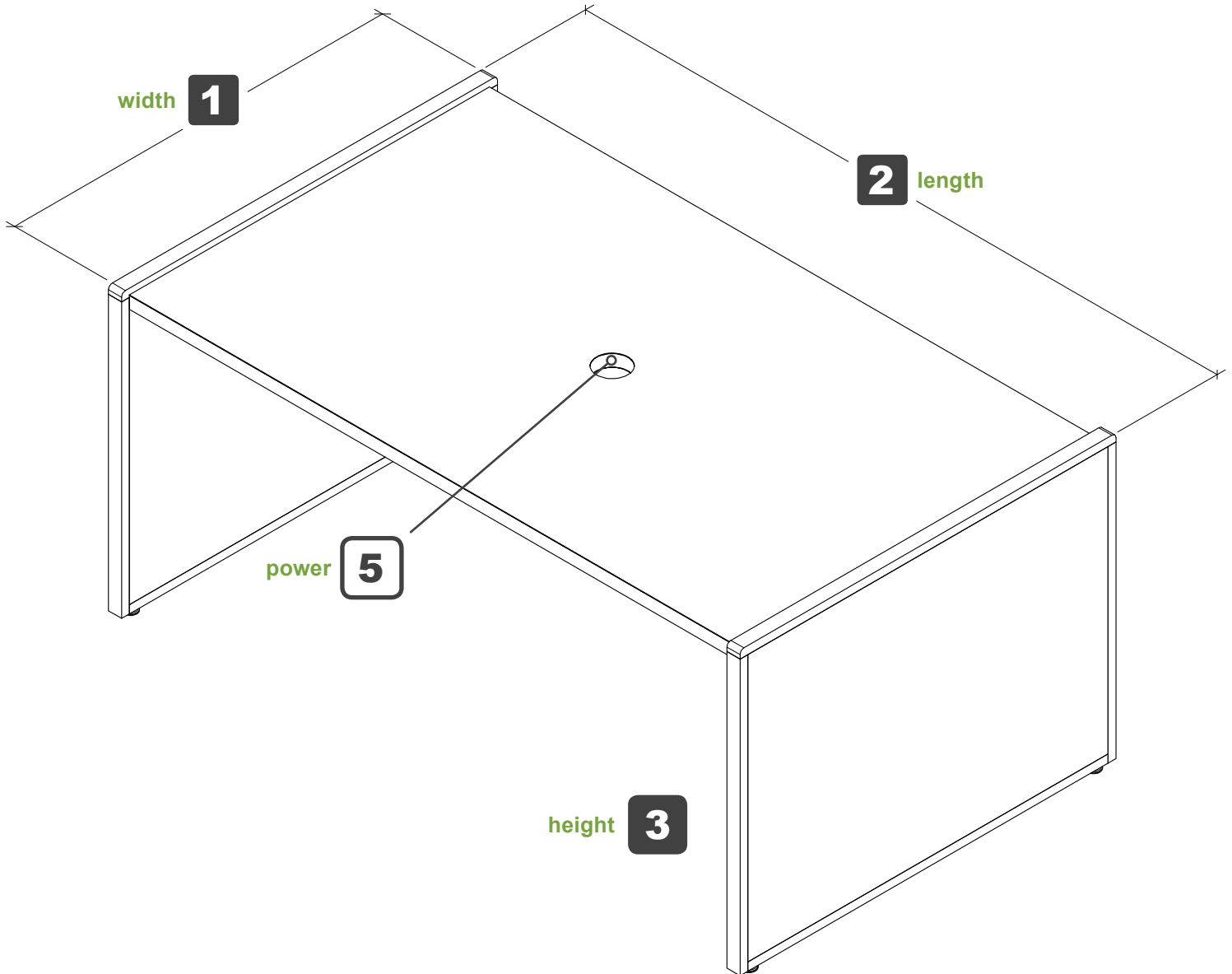
Deveraux

Rectangle (Panel) | Build Guide

Use the following guide to **determine the catalog number** for your Deveraux Table by **selecting your choice** from the available options. To **determine your list price**, add all prices for your selected items from the table to the right.

DV - ST - **1** **2** - **3** - **4**

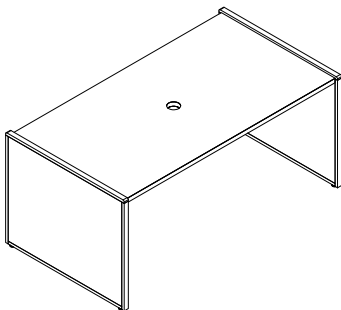
width length height table style



Unit Shown DV-ST-3660-29-PB-PD

List Price \$1,837

Required Selections					
Component	Code	Description	36" Wide	42" Wide	48" Wide
1 Width	36	36" Wide Unit	\$0	-	-
	42	42" Wide Unit	-	\$0	-
	48	48" Wide Unit	-	-	\$0
2 Length	36	36" Long Unit	\$1,530	-	-
	42	42" Long Unit	\$1,610	\$1,778	-
	48	48" Long Unit	\$1,695	\$1,863	\$2,025
	60	60" Long Unit	\$1,791	\$1,959	\$2,121
	66	66" Long Unit	\$1,881	\$2,050	\$2,212
	72	72" Long Unit	\$1,962	\$2,130	\$2,292
3 Height	25	25" High Unit	\$0	\$0	\$0
	27	27" High Unit	\$0	\$0	\$0
	29	29" High Unit	\$0	\$0	\$0
	36	36" High Unit	\$218	\$252	\$292
4 Table Style	PB	Panel Base	\$0	\$0	\$0
Available Upgrades					
Component	Code	Description	36" Wide	42" Wide	48" Wide
5 Power	-PD	Power/Data Cutout	\$46	\$46	\$46
-Includes 1 cutout; Power unit ordered separately					



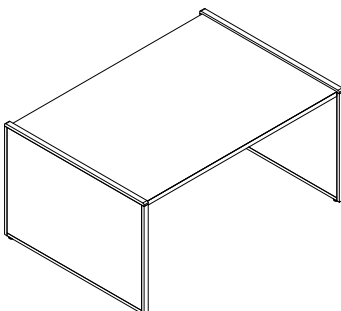
DV-ST-3666-29-PB-PD

List Price - \$1,927

Nominal Size - 36" W x 66" L x 29" H

Actual Footprint - 36" W x 66" L x 29" H

Power - Power/Data Cutout



DV-ST-4260-29-PB

List Price - \$1,959

Nominal Size - 42" W x 60" L x 29" H

Actual Footprint - 42" W x 60" L x 29" H

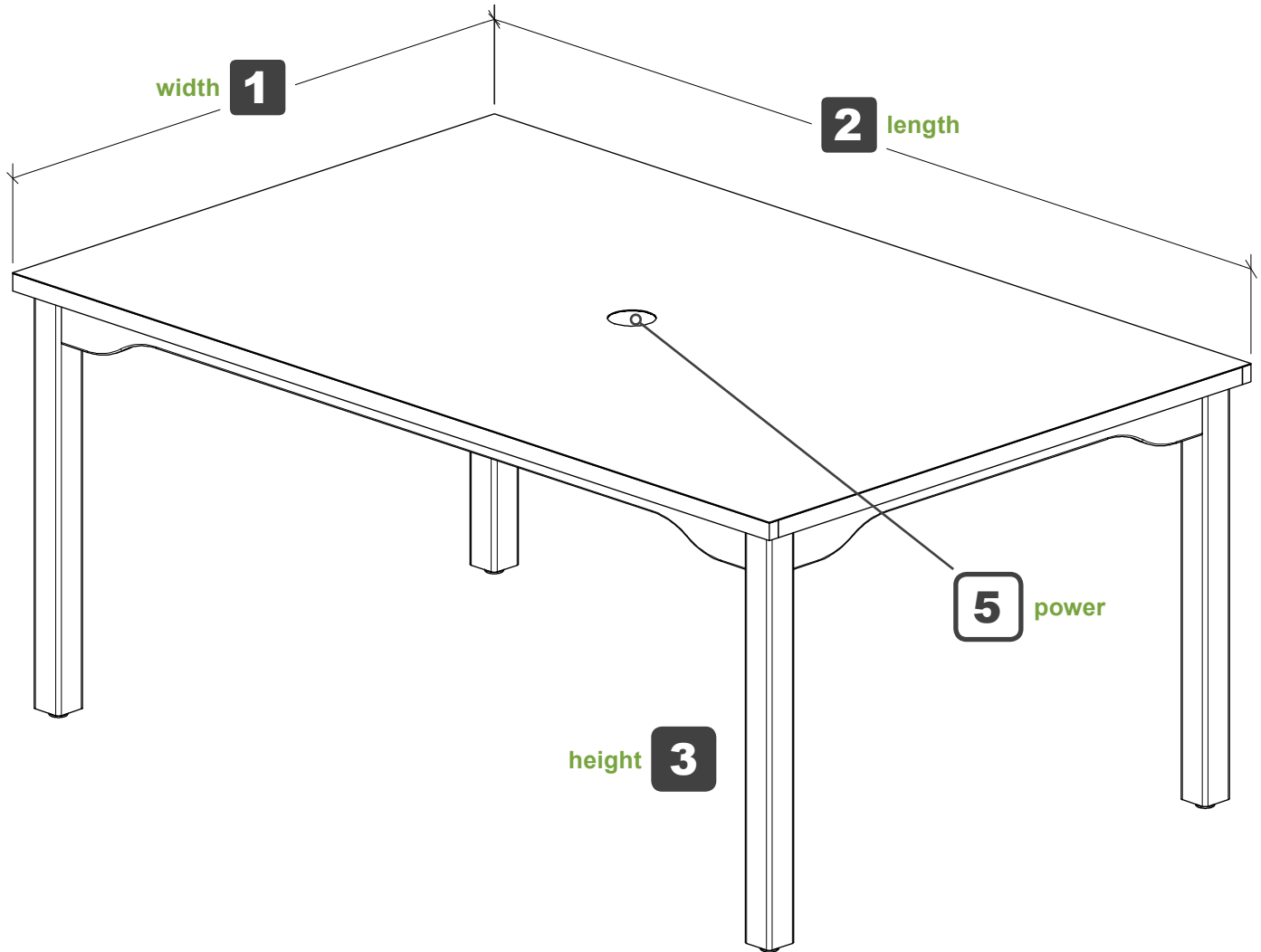
Deveraux

Rectangle (Leg) | Build Guide

Use the following guide to **determine the catalog number** for your Deveraux Table by **selecting your choice** from the available options. To **determine your list price**, add all prices for your selected items from the table to the right.

DV - ST - **1** **2** - **3** - **4**

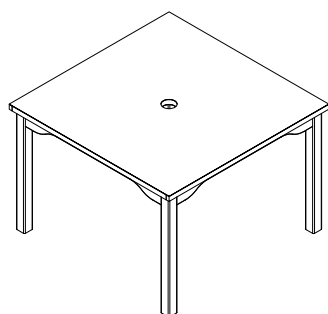
width length height table style



Unit Shown DV-ST-4266-29-LB-PD

List Price \$1,438

Required Selections								
Component	Code	Description	24" Wide	30" Wide	36" Wide	42" Wide	48" Wide	
1 Width	24	24" Wide Unit	\$0	-	-	-	-	
	30	30" Wide Unit	-	\$0	-	-	-	
	36	36" Wide Unit	-	-	\$0	-	-	
	42	42" Wide Unit	-	-	-	\$0	-	
	48	48" Wide Unit	-	-	-	-	\$0	
2 Length	36	36" Long Unit	\$1,000	\$1,040	\$1,080	-	-	
	42	42" Long Unit	\$1,056	\$1,096	\$1,136	\$1,176	-	
	48	48" Long Unit	\$1,114	\$1,154	\$1,199	\$1,239	\$1,281	
	60	60" Long Unit	\$1,215	\$1,255	\$1,295	\$1,335	\$1,377	
	66	66" Long Unit	\$1,271	\$1,311	\$1,351	\$1,392	\$1,434	
	72	72" Long Unit	\$1,327	\$1,368	\$1,408	\$1,448	\$1,490	
3 Height	25	25" High Unit	\$0	\$0	\$0	\$0	\$0	
	27	27" High Unit	\$0	\$0	\$0	\$0	\$0	
	29	29" High Unit	\$0	\$0	\$0	\$0	\$0	
	36	36" High Unit	\$228	\$228	\$228	\$228	\$228	
4 Table Style	LB	Leg Base	\$0	\$0	\$0	\$0	\$0	
Available Upgrades								
Component	Code	Description	24" Wide	30" Wide	36" Wide	42" Wide	48" Wide	
5 Power	-PD	Power/Data Cutout	\$46	\$46	\$46	\$46	\$46	\$46
		-Includes 1 cutout; Power unit ordered separately						
6 Wire Leg	-WL	Wire Leg	\$61	\$61	\$61	\$61	\$61	\$61
		-Not available on units less than 29" high						



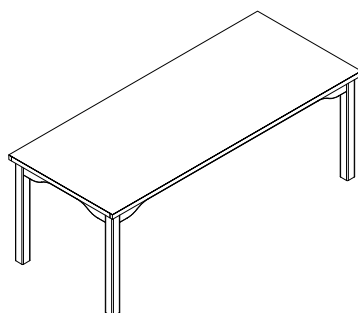
DV-ST-4242-29-LB-PD

List Price - \$1,222

Nominal Size - 42" W x 42" L x 29" H

Actual Footprint - 42" W x 42" L x 29" H

Power - Power/Data Cutout



DV-ST-3072-27-LB

List Price - \$1,368

Nominal Size - 30" W x 72" L x 27" H

Actual Footprint - 30" W x 72" L x 27" H

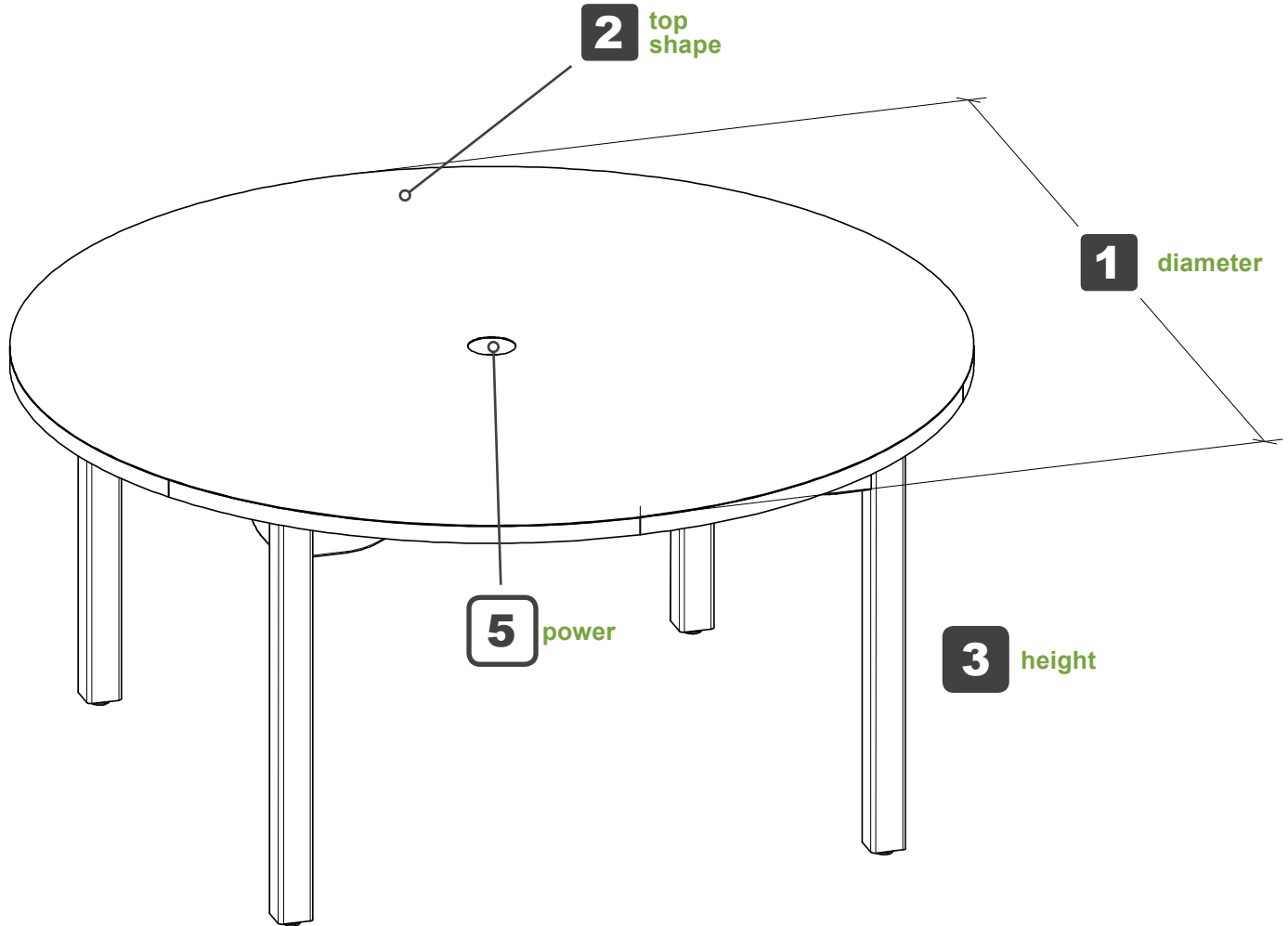
Deveraux

Round (Leg) | Build Guide

Use the following guide to **determine the catalog number** for your Deveraux Table by **selecting your choice** from the available options. To **determine your list price**, add all prices for your selected items from the table to the right.

DV - **ST** - **1** - **2** - **3** - **4**

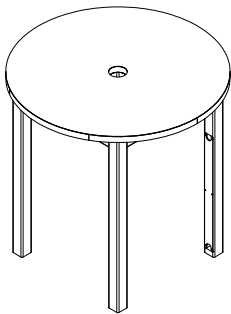
diameter top shape height table style



Unit Shown DV-ST-60D-29-LB-PD

List Price \$1,573

Required Selections								
Component	Code	Description	36" Dia	42" Dia	48" Dia	54" Dia	60" Dia	
1 Diameter	36	36" Dia Unit	\$1,053	-	-	-	-	-
	42	42" Dia Unit	-	\$1,149	-	-	-	-
	48	48" Dia Unit	-	-	\$1,246	-	-	-
	54	54" Dia Unit	-	-	-	\$1,411	-	-
	60	60" Dia Unit	-	-	-	-	\$1,527	-
2 Top Shape	D	Round	\$0	\$0	\$0	\$0	\$0	\$0
3 Height	25	25" High Unit	\$0	\$0	\$0	\$0	\$0	\$0
	27	27" High Unit	\$0	\$0	\$0	\$0	\$0	\$0
	29	29" High Unit	\$0	\$0	\$0	\$0	\$0	\$0
	36	36" High Unit	\$228	\$228	\$228	\$228	\$228	\$228
4 Table Style	LB	Leg Base	\$0	\$0	\$0	\$0	\$0	\$0
Available Upgrades								
Component	Code	Description	36" Dia	42" Dia	48" Dia	54" Dia	60" Dia	
5 Power	-PD	Power/Data Cutout	\$46	\$46	\$46	\$46	\$46	\$46
	<i>-Includes 1 cutout; Power unit ordered separately</i>							
6 Wire Leg	-WL	Wire Leg	\$61	\$61	\$61	\$61	\$61	\$61
	<i>-Not available on units less than 29" high</i>							



DV-ST-36D-36-LB-PD-WL

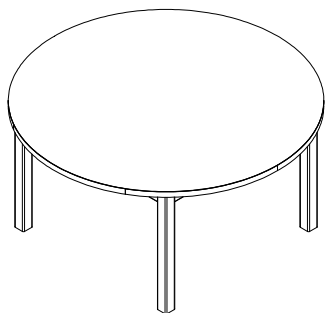
List Price - \$1,388

Nominal Size - 36" Dia x 36" H

Actual Footprint - 36" Dia x 36" H

Power - Power/Data Cutout

Wire Management - Wire Leg



DV-ST-54D-29-LB

List Price - \$1,411

Nominal Size - 54" Dia x 29" H

Actual Footprint - 54" Dia x 29" H

Computer Tables

satisfying the needs of a modern world



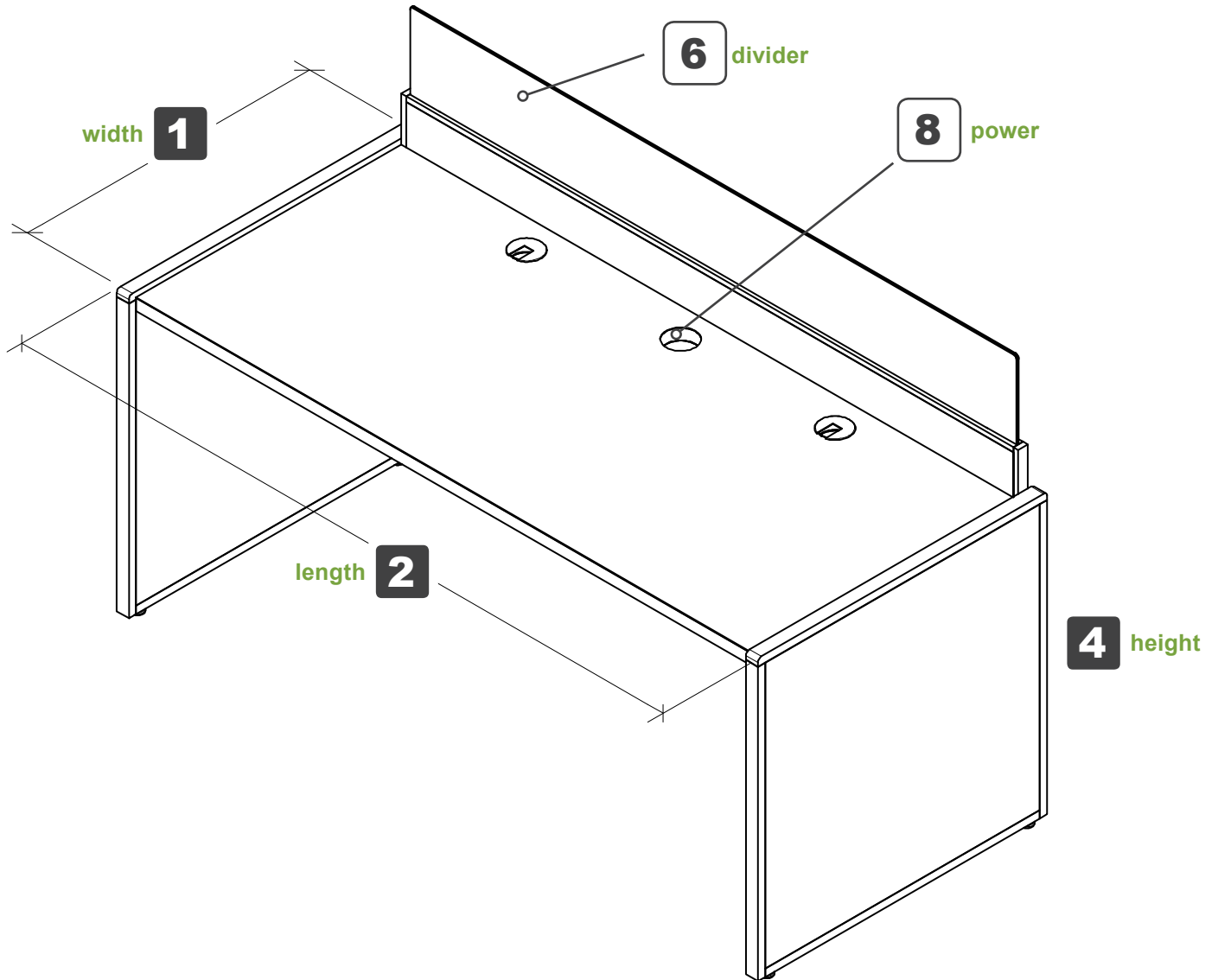
Deveraux

Straight (Single Face) | Build Guide

Use the following guide to **determine the catalog number** for your Deveraux Table by **selecting your choice** from the available options. To **determine your list price**, add all prices for your selected items from the table to the right.

DV - CT - **1** **2** **3** **4** **5**

width length top shape height unit type



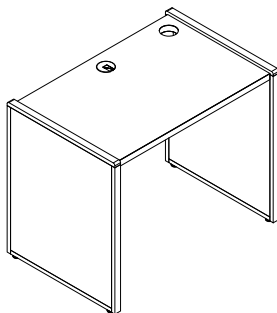
Unit Shown DV-CT-3066S-29-I-AD12-PD

List Price \$2,759



Required Selections					
Component	Code	Description	24" Wide	30" Wide	
1	Width	24	24" Wide Unit	\$0	-
		30	30" Wide Unit	-	\$0
2	Length	30	30" Long Unit	\$1,242	\$1,339
		36	36" Long Unit	\$1,379	\$1,476
		42	42" Long Unit	\$1,520	\$1,617
		60	60" Long Unit	\$1,936	\$2,033
		66	66" Long Unit	\$2,081	\$2,179
		72	72" Long Unit	\$2,219	\$2,316
3	Top Shape	S	Straight	\$0	\$0
4	Height	25	25" High Unit	\$0	\$0
		27	27" High Unit	\$0	\$0
		29	29" High Unit	\$0	\$0
5	Unit Type	I	Island	\$299	\$376
		S	Starter	\$299	\$376
		A	Adder	\$0	\$0
		E	End	\$0	\$0

Available Upgrades										
Component	Code	Description	30" Long	36" Long	42" Long	60" Long	66" Long	72" Long		
6	Divider	-AD	Acrylic Divider	\$45	\$45	\$45	\$45	\$45	\$45	
		-WD	Wood Divider	\$105	\$126	\$146	\$206	\$231	\$251	
7	Divider Height	08	8" High Divider	\$0	\$0	\$0	\$0	\$0	\$0	
		-8" Height not available with Acrylic Divider								
		12	12" High Divider	\$53	\$60	\$73	\$105	\$113	\$121	
		16	16" High Divider	\$101	\$125	\$145	\$206	\$226	\$246	
		20	20" High Divider	\$154	\$185	\$218	\$311	\$339	\$367	
		-20" Height not available with Wood Divider								
8	Power	-PD	Power/Data Cutout	\$46	\$46	\$46	\$46	\$46	\$46	
-Includes 1 cutout; Power unit ordered separately										



DV-CT-2436S-29-I-PD

List Price - \$1,724

Nominal Size - 24" W x 36" L x 29" H

Actual Footprint - 24" W x 36" L x 29" H

Unit Type - Island

Power - Power/Data Cutout

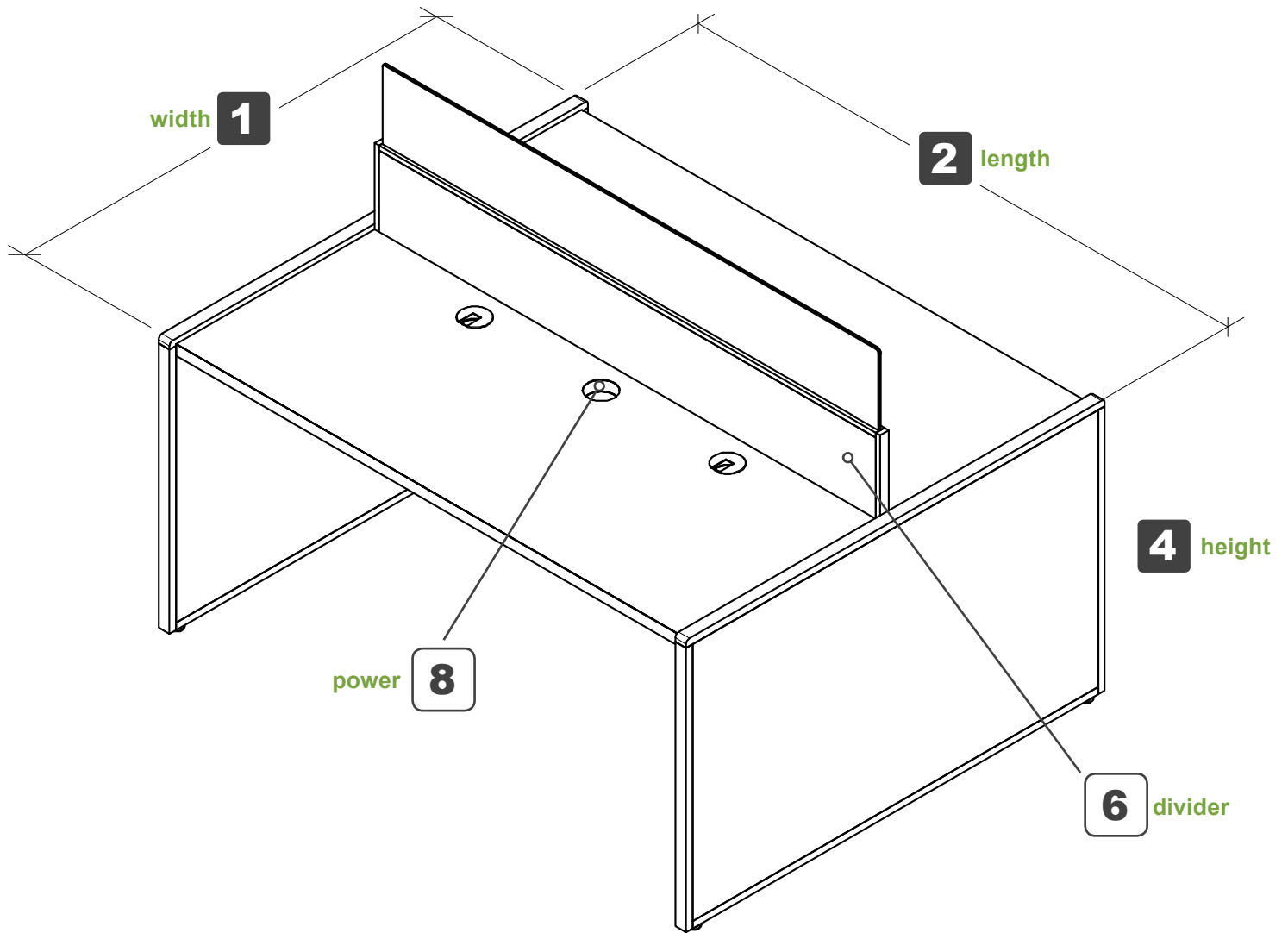
Deveraux

Straight (Double Face) | Build Guide

Use the following guide to **determine the catalog number** for your Deveraux Table by **selecting your choice** from the available options. To **determine your list price**, add all prices for your selected items from the table to the right.

DV - CT - **1** **2** **3** **4** **5**

width length top shape height unit type

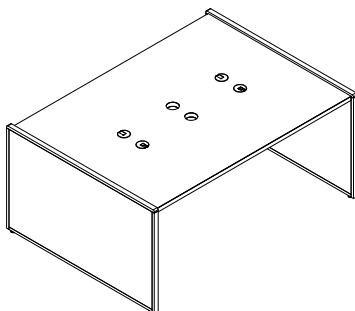


Unit Shown DV-CT-4860S-29-I-AD16-PD

List Price \$3,548

Required Selections					
Component	Code	Description	48" Wide	60" Wide	
1	Width	48	48" Wide Unit	\$0	-
		60	60" Wide Unit	-	\$0
2	Length	30	30" Long Unit	\$1,792	\$2,007
		36	36" Long Unit	\$1,958	\$2,168
		42	42" Long Unit	\$2,122	\$2,333
		60	60" Long Unit	\$2,607	\$2,817
		66	66" Long Unit	\$2,781	\$2,992
		72	72" Long Unit	\$2,942	\$3,153
3	Top Shape	S	Straight	\$0	\$0
4	Height	25	25" High Unit	\$0	\$0
		27	27" High Unit	\$0	\$0
		29	29" High Unit	\$0	\$0
5	Unit Type	I	Island	\$598	\$748
		S	Starter	\$598	\$748
		A	Adder	\$0	\$0
		E	End	\$0	\$0

Available Upgrades									
Component	Code	Description	30" Long	36" Long	42" Long	60" Long	66" Long	72" Long	
6	Divider	-AD	Acrylic Divider	\$45	\$45	\$45	\$45	\$45	\$45
		-WD	Wood Divider	\$105	\$126	\$146	\$206	\$231	\$251
7	Divider Height	08	8" High Divider	\$0	\$0	\$0	\$0	\$0	\$0
		-8" Height not available with Acrylic Divider							
		12	12" High Divider	\$53	\$60	\$73	\$105	\$113	\$121
		16	16" High Divider	\$101	\$125	\$145	\$206	\$226	\$246
		20	20" High Divider	\$154	\$185	\$218	\$311	\$339	\$367
-20" Height not available with Wood Divider									
8	Power	-PD	Power/Data Cutout	\$92	\$92	\$92	\$92	\$92	\$92
-Includes 2 cutouts; Power units ordered separately									



DV-CT-4866S-29-I-PD

List Price - \$3,471

Nominal Size - 48" W x 66" L x 29" H

Actual Footprint - 48" W x 66" L x 29" H

Unit Type - Island

Power - Power/Data Cutout

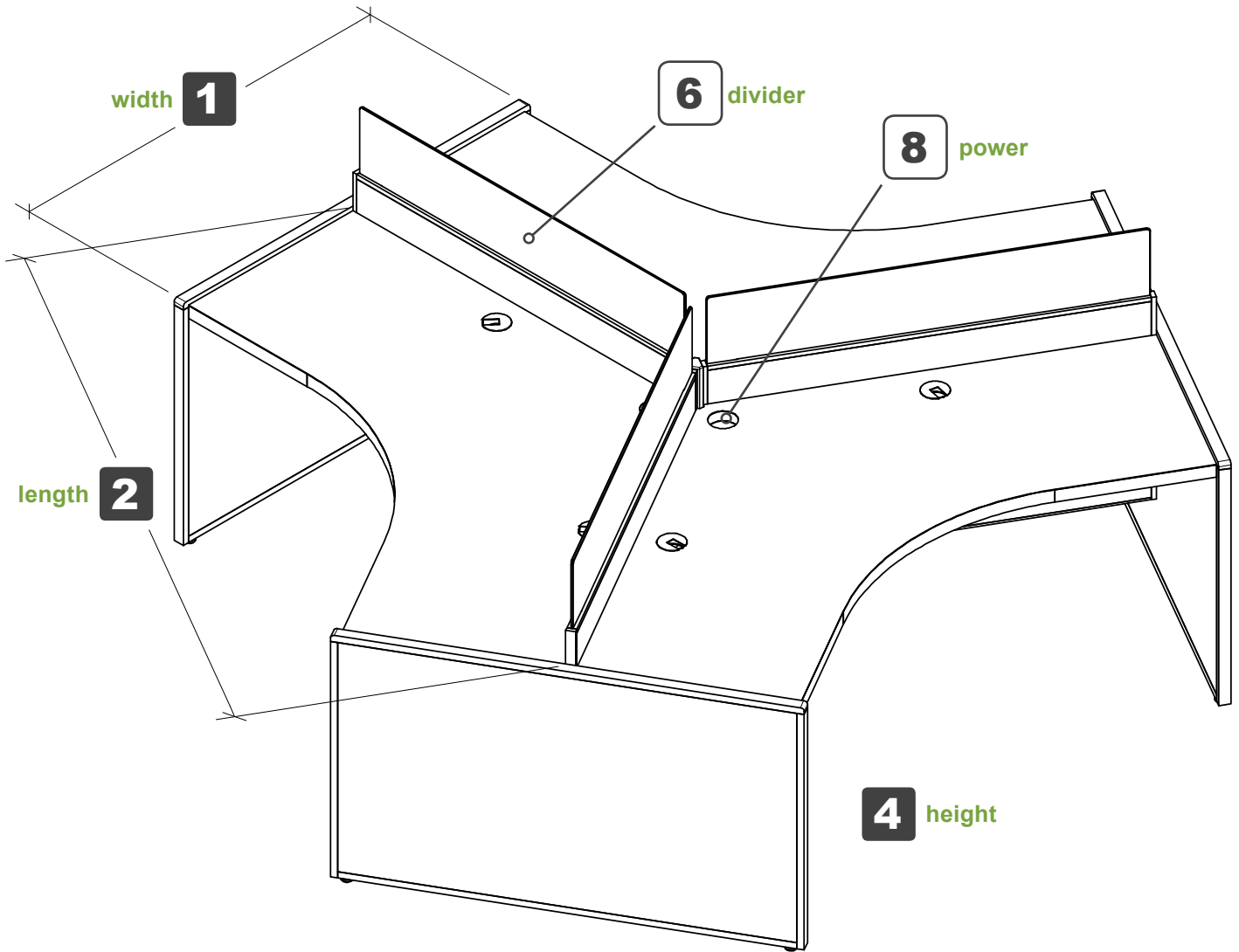
Deveraux

Pod | Build Guide

Use the following guide to **determine the catalog number** for your Deveraux Table by **selecting your choice** from the available options. To **determine your list price**, add all prices for your selected items from the table to the right.

DV - CT - **1** **2** **3** **4** **5**

width length top shape height unit type

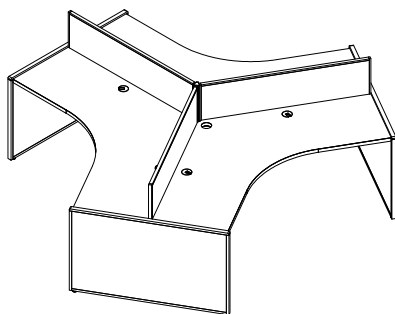


Unit Shown DV-CT-4884P-29-I-AD12-PD

List Price \$7,429

Required Selections			
Component	Code	Description	48" Wide
1	Width	48	48" Wide Unit \$0
2	Length	66	66" Long Unit \$6,138
		84	84" Long Unit \$6,378
		92	92" Long Unit \$6,513
3	Top Shape	P	Pod \$0
4	Height	25	25" High Unit \$0
		27	27" High Unit \$0
		29	29" High Unit \$0
5	Unit Type	I	Island \$598
		S1	Starter 1 \$598
		S2	Starter 2 \$598
		S3	Starter 3 \$598
		A1	Adder 1 \$0
		A2	Adder 2 \$0
		E	End \$0

Available Upgrades							
Component	Code	Description	66" Long	84" Long	92" Long		
6	Divider	-AD	Acrylic Divider	\$135	\$135	\$135	
		-WD	Wood Divider	\$315	\$378	\$438	
7	Divider Height	08	8" High Divider	\$0	\$0	\$0	
		-8" Height not available with Acrylic Divider					
		12	12" High Divider	\$159	\$180	\$219	
		16	16" High Divider	\$303	\$375	\$435	
		20	20" High Divider	\$462	\$555	\$654	
-20" Height not available with Wood Divider							
8	Power	-PD	Power/Data Cutout	\$138	\$138	\$138	
-Includes 3 cutouts; Power units ordered separately							



DV-CT-4892P-29-I-WD12-PD

List Price - \$7,906

Nominal Size - 48" W x 92" L x 29" H

Actual Footprint - 101" W x 116-5/8" L x 29" H

Unit Type - Island

Power - Power/Data Cutout

Dividers - Wood

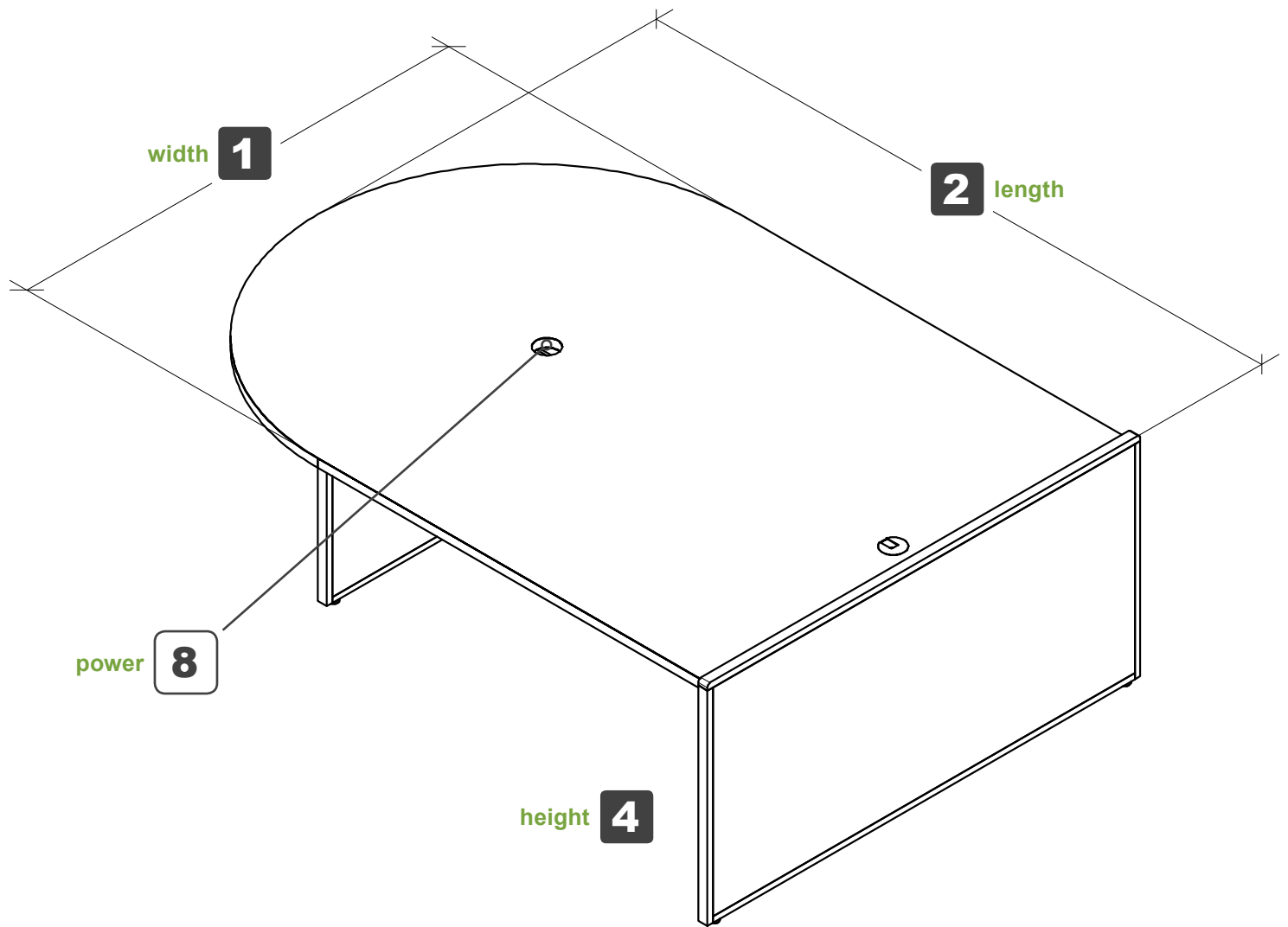
Deveraux

Bullet | Build Guide

Use the following guide to **determine the catalog number** for your Deveraux Table by **selecting your choice** from the available options. To **determine your list price**, add all prices for your selected items from the table to the right.

DV - CT - **1** **2** **3** - **4** - **5**

width length top shape height unit type



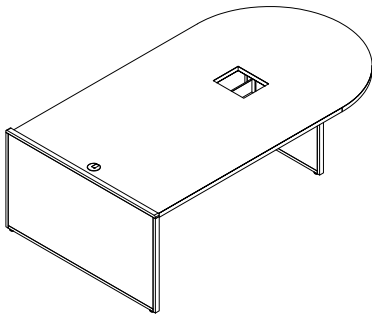
Unit Shown DV-CT-6084B-29-I-PD

List Price \$3,308

Required Selections					
Component	Code	Description	48" Wide	60" Wide	
1	Width	48	48" Wide Unit	\$0	-
		60	60" Wide Unit	-	\$0
2	Length	60	60" Long Unit	\$1,659	\$1,824
		66	66" Long Unit	\$1,820	\$1,986
		72	72" Long Unit	\$1,989	\$2,150
		84	84" Long Unit	\$2,348	\$2,514
3	Top Shape	B	Bullet	\$0	\$0
4	Height	25	25" High Unit	\$0	\$0
		27	27" High Unit	\$0	\$0
		29	29" High Unit	\$0	\$0
5	Unit Type	I	Island	\$598	\$748
		S	Starter	\$598	\$748
		E	End	\$0	\$0

Available Upgrades							
Component	Code	Description	60" Long	66" Long	72" Long	84" Long	
6	Power	-PD	Power/Data Cutout	\$46	\$46	\$46	\$46
		-DS4	4-Window Dropshare Cutout	\$46	\$46	\$46	\$46
		-DS6	6-Window Dropshare Cutout	\$46	\$46	\$46	\$46

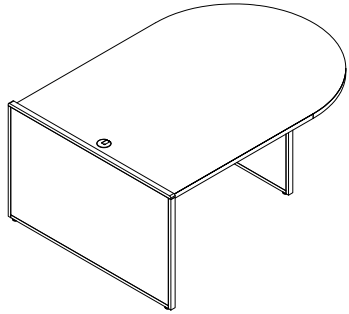
-Includes 1 cutouts; Power units ordered separately



DV-CT-4884B-29-I-DS4

List Price - \$2,992

Nominal Size - 48" W x 84" L x 29" H
 Actual Footprint - 48" W x 84" L x 29" H
 Unit Type - Island
 Power - 4-Window DropShare Cutout



DV-CT-4866B-29-I

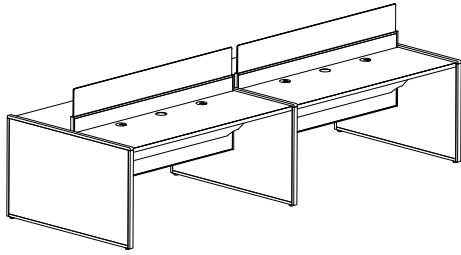
List Price - \$2,418

Nominal Size - 48" W x 66" L x 29" H
 Actual Footprint - 48" W x 66" L x 29" H
 Unit Type - Island

Deveraux

Popular Combinations

The following products are **popular and frequently desking runs**. The catalog number, description, specifications, color options, and list prices are all provided. Contact project management for any further information.

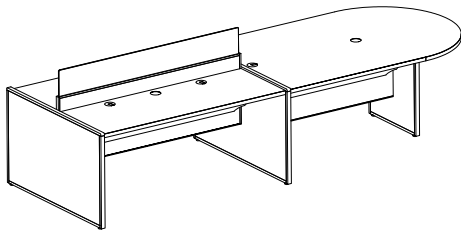


DV-CT-PC08-01

- (1) DV-CT-4866S-29-S-AD12-PD
 - (1) DV-CT-4866S-29-E-AD12-PD
- 8-Person combination

List Price - \$6,660

Per Seat - \$832

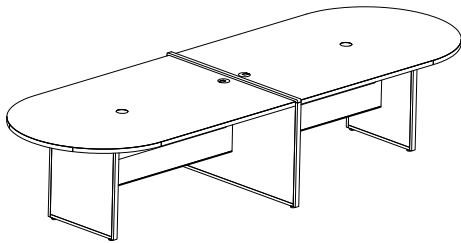


DV-CT-PC09-01

- (1) DV-CT-4866S-29-S-AD12-PD
 - (1) DV-CT-4872B-29-E-PD
- 9-Person combination

List Price - \$5,664

Per Seat - \$629

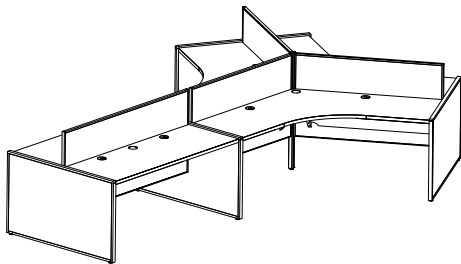


DV-CT-PC10-01

- (1) DV-CT-4872B-29-S-PD
 - (1) DV-CT-4872B-29-E-PD
- 10-Person combination

List Price - \$4,668

Per Seat - \$466

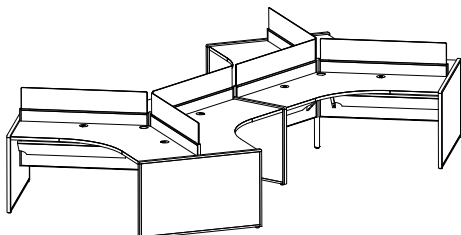


DV-CT-PC10-02

- (1) DV-CT-4892P-29-S1-WD12-PD
 - (1) DV-CT-4866S-29-E-WD12-PD
- 10-Person combination

List Price - \$11,123

Per Seat - \$1,112

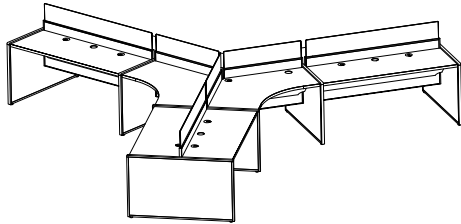


DV-CT-PC12-01

- (1) DV-CT-4884P-29-S1-AD12-PD
 - (1) DV-CT-4884P-29-E-AD12-PD
- 12-Person combination

List Price - \$14,260

Per Seat - \$1,188

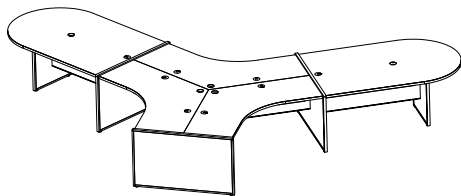


DV-CT-PC15-01

- (1) DV-CT-4866P-29-S3-AD12-PD
 - (3) DV-CT-4866S-29-E-AD12-PD
- 15-Person combination

List Price - \$16,261

Per Seat - \$1,084

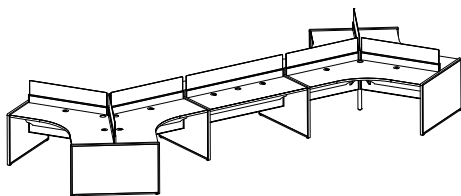


DV-CT-PC16-01

- (1) DV-CT-4884P-29-S2-PD
 - (2) DV-CT-4872B-29-E-PD
- 16-Person combination

List Price - \$11,184

Per Seat - \$699

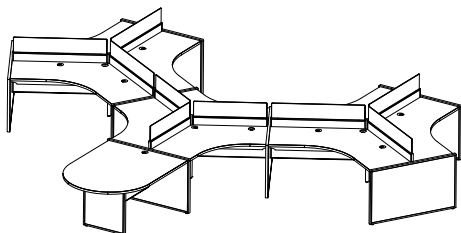


DV-CT-PC16-02

- (1) DV-CT-4884P-29-S1-AD12-PD
 - (1) DV-CT-4866S-29-A-AD12-PD
 - (1) DV-CT-4884P-29-E-AD12-PD
- 16-Person combination

List Price - \$17,219

Per Seat - \$1,080

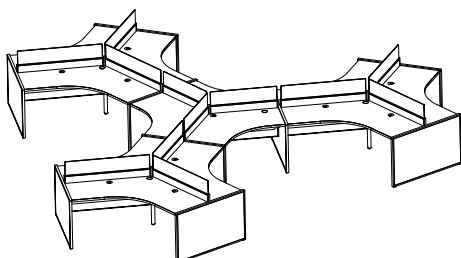


DV-CT-PC17-01

- (1) DV-CT-4866P-29-S3-AD12-PD
 - (1) DV-CT-4860B-29-E
 - (2) DV-CT-4884P-29-E-AD12-PD
- 17-Person combination

List Price - \$22,489

Per Seat - \$1,322



DV-CT-PC21-01

- (1) DV-CT-4866P-29-S3-AD12-PD
 - (3) DV-CT-4884P-29-E-AD12-PD
- 20-Person combination

List Price - \$27,661

Per Seat - \$1,317

Carrels

non-distracting and firmly planted in functional design



LIAT 

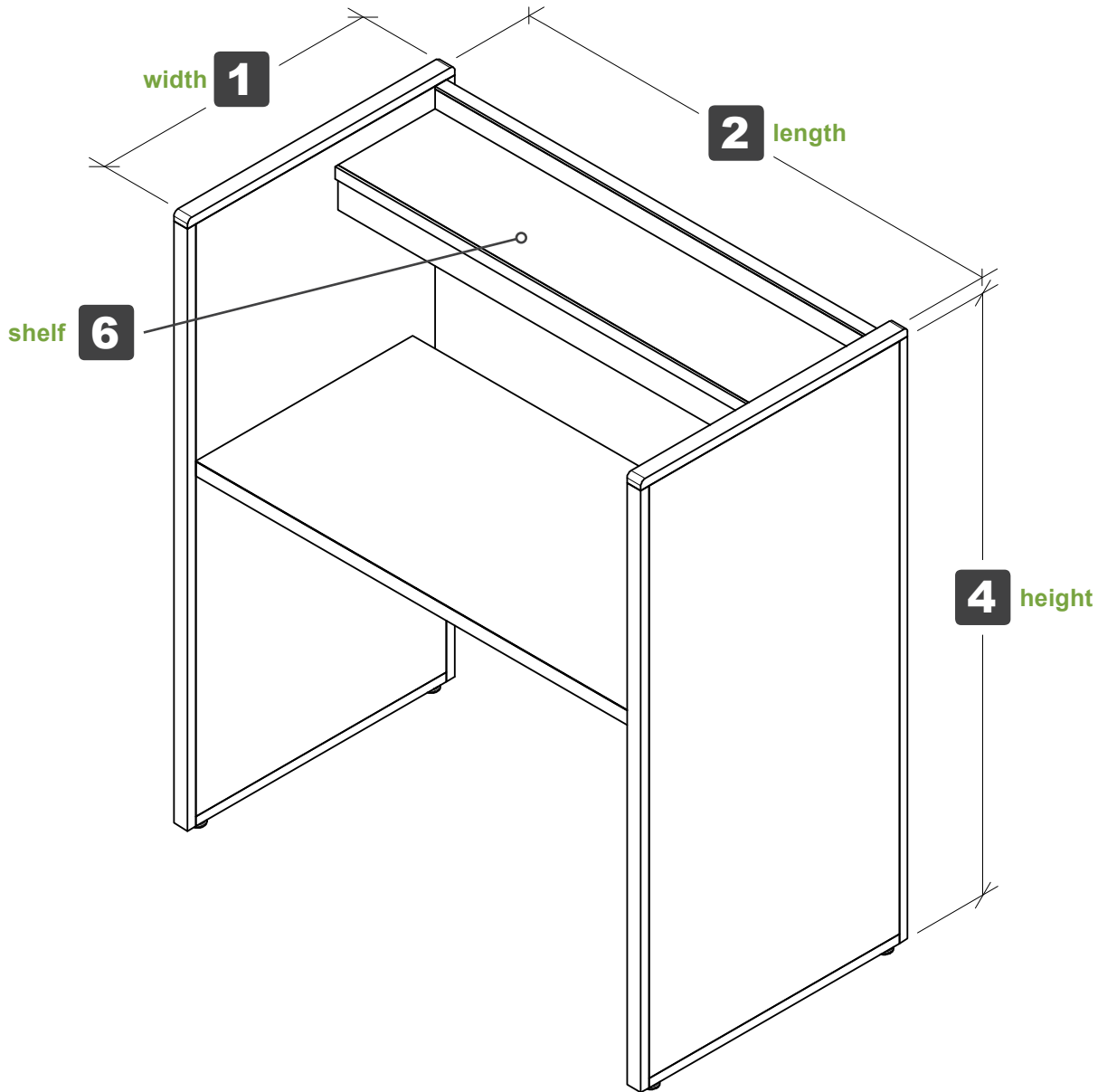
Deveraux

Straight (Single Face) | Build Guide

Use the following guide to **determine the catalog number** for your Deveraux Carrel by **selecting your choice** from the available options. To **determine your list price**, add all prices for your selected items from the table to the right.

DV - CA - **1** **2** - **3** **4** - **5** - **6**

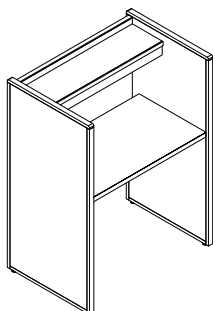
width length carrel height top height unit type shelf



Unit Shown DV-CA-2442-4829-I-TS

List Price \$2,583

Required Selections					
Component	Code	Description	24" Wide	30" Wide	
1	Width	24	24" Wide Unit	\$0	-
		30	30" Wide Unit	-	\$0
2	Length	36	36" Long Unit	\$1,803	\$1,949
		42	42" Long Unit	\$1,997	\$2,138
3	Carrel Height	48	48" High Carrel	\$0	\$0
4	Top Height	27	27" High Top	\$0	\$0
		29	29" High Unit	\$0	\$0
		32	32" High Unit	\$0	\$0
		39	39" High Unit	\$0	\$0
5	Unit Type	I	Island	\$497	\$618
		S	Starter	\$497	\$618
		A	Adder	\$0	\$0
		E	End	\$0	\$0
Component	Code	Description	36" Long	42" Long	
6	Shelf	BS	Bottom Shelf	\$0	\$0
		TS	Top Shelf	\$77	\$89
-Top shelf not available on 39" high units					
Available Upgrades					
Component	Code	Description	24" Wide	30" Wide	
7	Top Height Adapter	-HA27	Adapt to 27"	\$0	\$0
		-HA29	Adapt to 29"	\$0	\$0
		-HA32	Adapt to 32"	\$0	\$0
		-HA39	Adapt to 39"	\$0	\$0
-Height adapters only available on Starter and Adder units					
8	Shelf Adapter	-SAB	Shelf Adapt to Bottom Shelf	\$0	\$0
		-SAT	Shelf Adapt to Top Shelf	\$0	\$0
-Top Shelf Adapter not available with 39" Height Adapter					
-Shelf adapters only available on Starter and Adder units					



DV-CA-2436-4829-I-TS

List Price -\$2,377

Nominal Size - 24" W x 36" L x 48" H

Actual Footprint - 24" W x 36" L x 48" H

Unit Type - Island

Shelf Location - Top

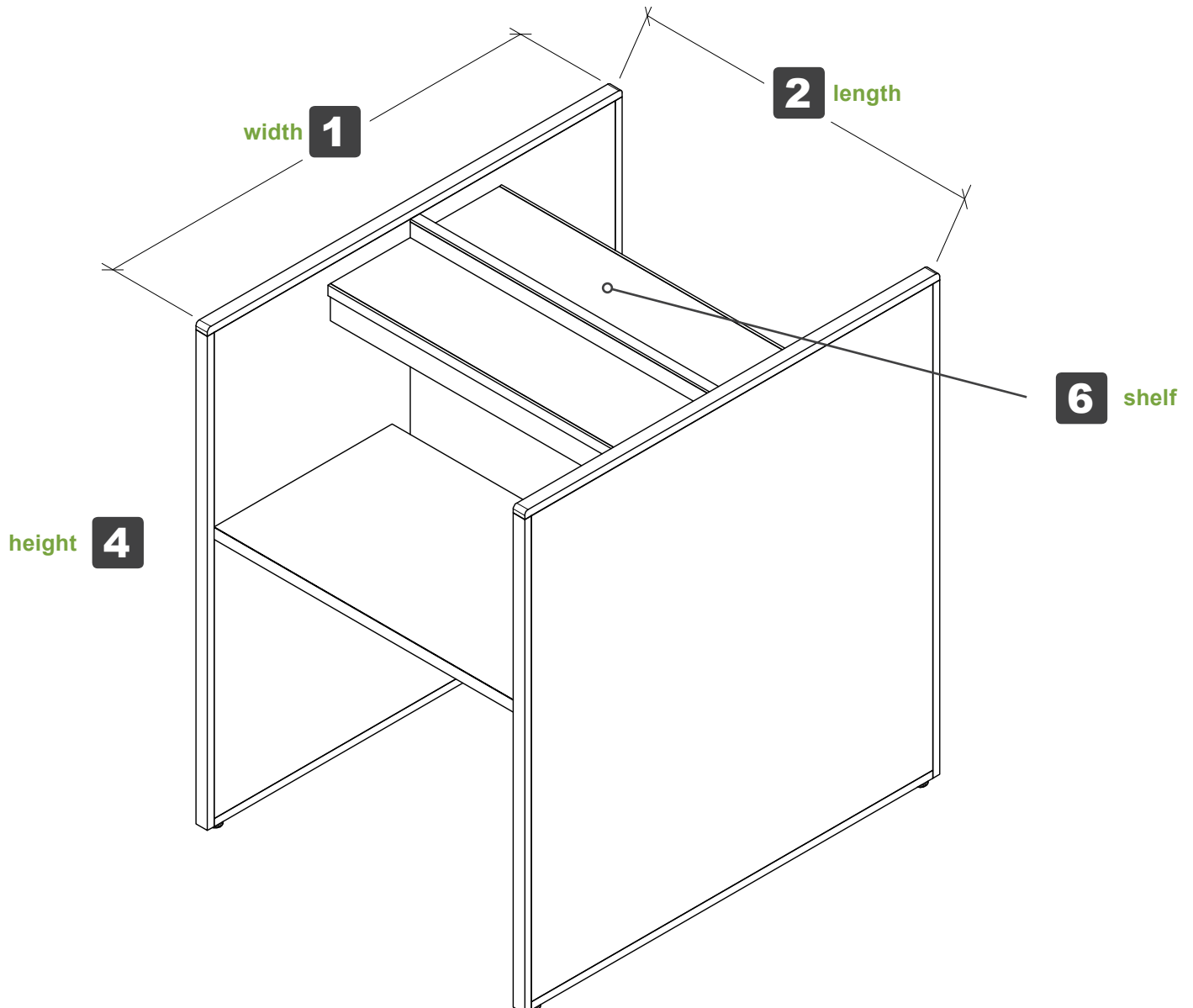
Deveraux

Straight (Double Face) | Build Guide

Use the following guide to **determine the catalog number** for your Deveraux Carrel by **selecting your choice** from the available options. To **determine your list price**, add all prices for your selected items from the table to the right.

DV - **CA** - **1** **2** - **3** **4** - **5** - **6**

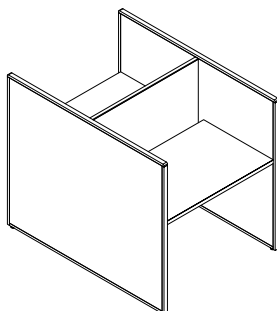
width length carrel height top height unit type shelf



Unit Shown DV-CA-4842-4829-I-TS

List Price \$3,941

Required Selections				
Component	Code	Description	48" Wide	60" Wide
1 Width	48	48" Wide Unit	\$0	-
	60	60" Wide Unit	-	\$0
2 Length	36	36" Long Unit	\$2,558	\$2,854
	42	42" Long Unit	\$2,773	\$3,059
3 Carrel Height	48	48" High Carrel	\$0	\$0
4 Top Height	27	27" High Top	\$0	\$0
	29	29" High Unit	\$0	\$0
	32	32" High Unit	\$0	\$0
	39	39" High Unit	\$0	\$0
5 Unit Type	I	Island	\$990	\$1,236
	S	Starter	\$990	\$1,236
	A	Adder	\$0	\$0
	E	End	\$0	\$0
Component	Code	Description	36" Long	42" Long
6 Shelf	BS	Bottom Shelf	\$0	\$0
	TS	Top Shelf	\$154	\$178
-Top shelf not available on 39" high units				
Available Upgrades				
Component	Code	Description	48" Wide	60" Wide
7 Top Height Adapter	-HA27	Adapt to 27"	\$0	\$0
	-HA29	Adapt to 29"	\$0	\$0
	-HA32	Adapt to 32"	\$0	\$0
	-HA39	Adapt to 39"	\$0	\$0
-Height adapters only available on Starter and Adder units				
8 Shelf Adapter	-SAB	Shelf Adapt to Bottom Shelf	\$0	\$0
	-SAT	Shelf Adapt to Top Shelf	\$0	\$0
-Top Shelf Adapter not available with 39" Height Adapter				
-Shelf adapters only available on Starter and Adder units				



DV-CA-6042-4829-I-BS

List Price - \$4,295

Nominal Size - 60" W x 42" L x 48" H

Actual Footprint - 60" W x 42" L x 48" H

Unit Type - Island

Shelf Location - Bottom

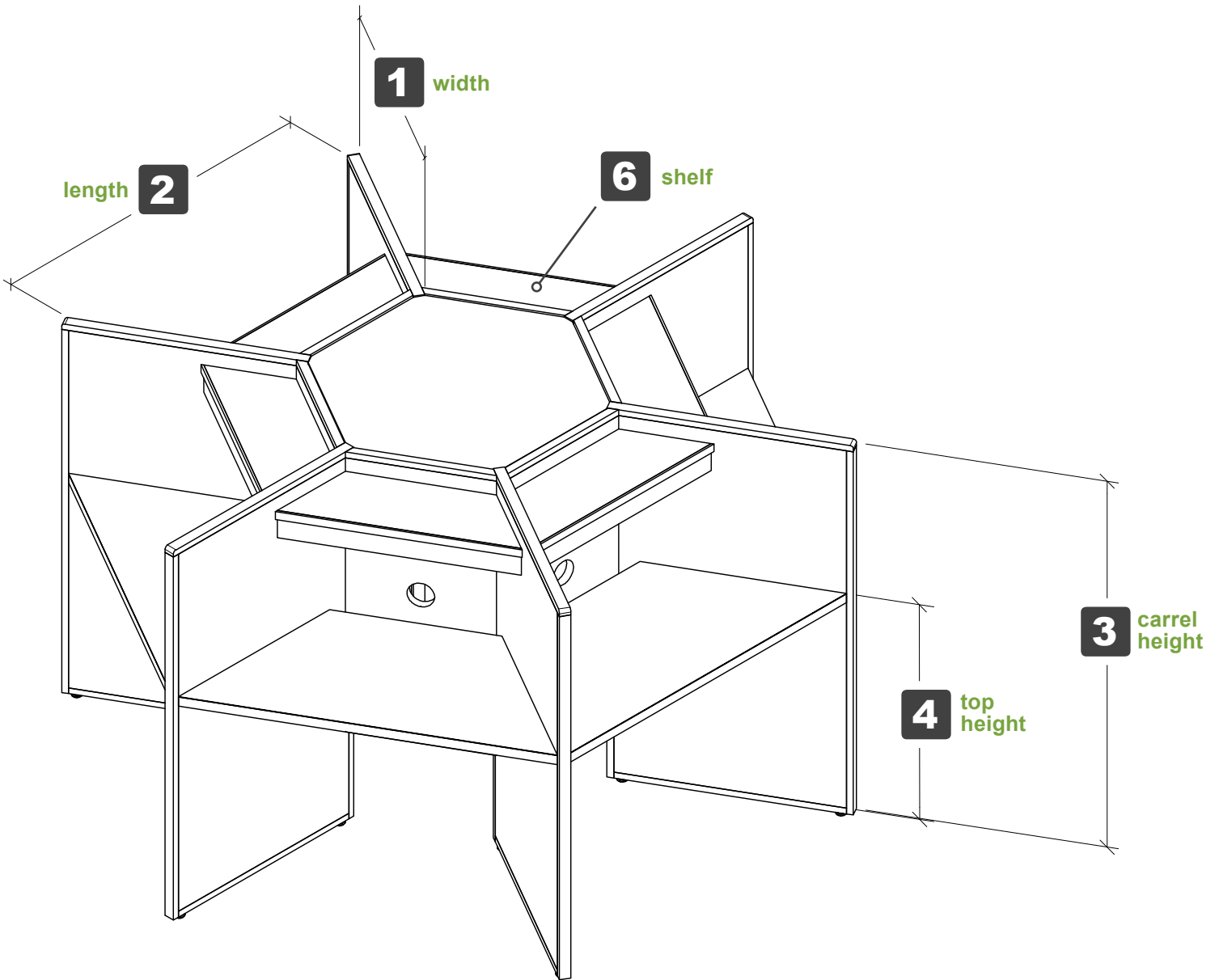
Deveraux

Polygonal | Build Guide

Use the following guide to **determine the catalog number** for your Deveraux Table by **selecting your choice** from the available options. To **determine your list price**, add all prices for your selected items from the table to the right.

DV - CA - **1** **2** - **3** **4** - **5** - **6**

width length carrel height top height unit type shelf



Unit Shown DV-CA-2442-4829-H6-TS-PD

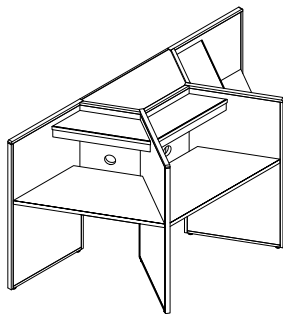
List Price \$11,826

Required Selections						
Component	Code	Description	Hex 3	Hex 6	Octa 4	Octa 8
1 Top Widths	24	24" Wide Unit	\$0	\$0	\$0	\$0
2 Top Lengths	36	36" Long Unit	\$5,906	\$10,818	\$7,709	\$14,424
	42	42" Long Unit	\$6,041	\$11,088	\$7,889	\$14,784
3 Carrel Height	48	48" High Carrel	\$0	\$0	\$0	\$0
4 Top Height	27	27" High Top	\$0	\$0	\$0	\$0
	29	29" High Unit	\$0	\$0	\$0	\$0
	32	32" High Unit	\$0	\$0	\$0	\$0
	39	39" High Unit	\$0	\$0	\$0	\$0
5 Unit Type	H3	Hex - 3 Station	\$0	-	-	-
	H6	Hex - 6 Station	-	\$0	-	-
	O4	Octa - 4 Station	-	-	\$0	-
	O8	Octa - 8 Station	-	-	-	\$0
6 Shelf	BS	Bottom Shelf	\$0	\$0	\$0	\$0
	TS	Top Shelf	\$231	\$462	\$308	\$616

-Top shelf not available on 39" high units

Available Upgrades						
Component	Code	Description	Hex 3	Hex 6	Octa 4	Octa 8
7 Power	-PD	Power/Data Cutout	\$138	\$276	\$184	\$368

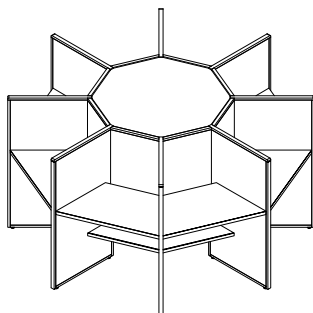
-Includes 1 cutout per back panel; Power units ordered separately



DV-CA-2442-4829-H3-TS-PD

List Price - \$6,410

Nominal Size - 24" W x 42" L x 48" H
Actual Footprint - 38-5/16" W x 86-3/8" L x 48" H
Unit Type - Hex 3
Power - Power/Data Cutout



DV-CA-2436-4829-O8-BS

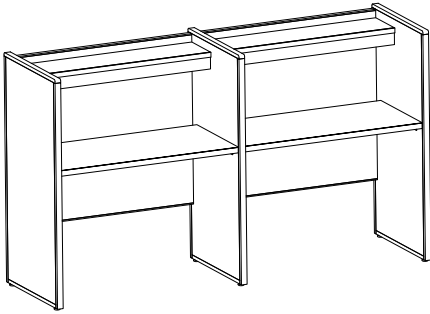
List Price - \$14,424

Nominal Size - 24" W x 36" L x 48" H
Actual Footprint - 92-1/4" W x 92-1/4" L x 48" H
Unit Type - Octa 8

Deveraux

Popular Combinations

The following products are **popular and frequently ordered carrel runs**. The catalog number, description, specifications, color options, and list prices are all provided. Contact project management for any further information.

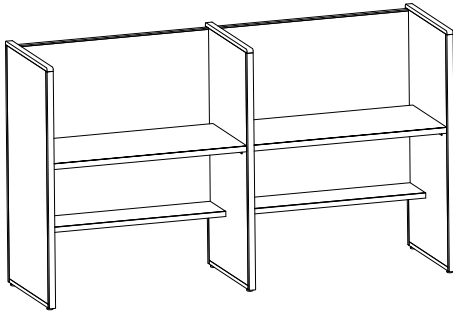


DV-CA-PC02-01

- (1) DV-CA-2442-4829-S-TS
 - (1) DV-CA-2442-4829-E-TS
- 2-Person combination

List Price - \$4,669

Per Seat - \$2,334

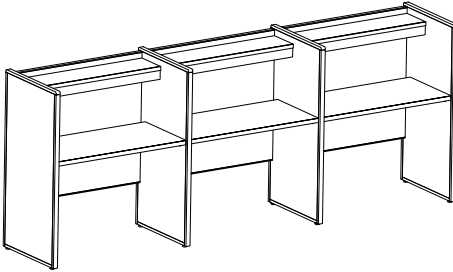


DV-CA-PC02-02

- (1) DV-CA-2442-4829-S-BS
 - (1) DV-CA-2442-4829-E-BS
- 2-Person combination

List Price - \$4,491

Per Seat - \$2,245

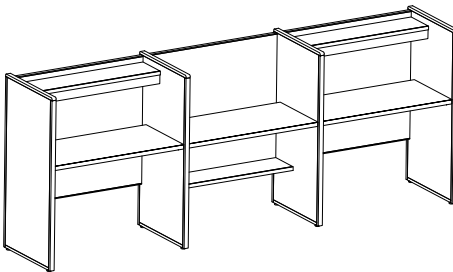


DV-CA-PC03-01

- (1) DV-CA-2442-4829-S-TS
 - (1) DV-CA-2442-4829-A-TS
 - (1) DV-CA-2442-4829-E-TS
- 3-Person combination

List Price - \$6,755

Per Seat - \$2,251

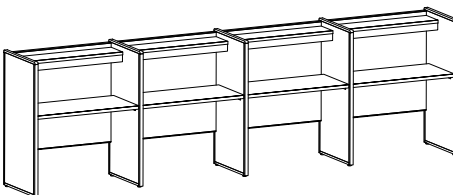


DV-CA-PC03-02

- (1) DV-CA-2442-4829-S-TS-SAB
 - (1) DV-CA-2442-4829-A-BS-SAT
 - (1) DV-CA-2442-4829-E-TS
- 3-Person combination

List Price - \$6,666

Per Seat - \$2,222

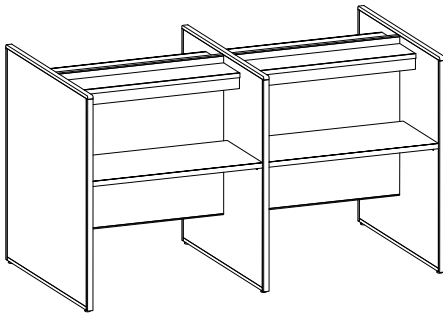


DV-CA-PC04-01

- (1) DV-CA-2442-4829-S-TS
 - (2) DV-CA-2442-4829-A-TS
 - (1) DV-CA-2442-4829-E-TS
- 4-Person combination

List Price - \$8,841

Per Seat - \$2,210

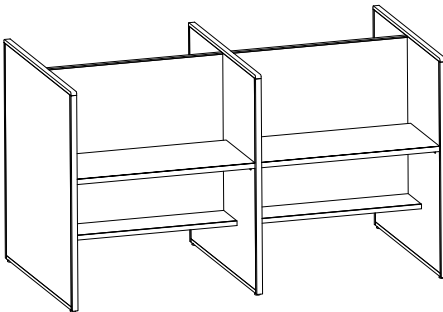


DV-CA-PC04-02

- (1) DV-CA-4842-4829-S-TS
 - (1) DV-CA-4842-4829-E-TS
- 4-Person combination

List Price - \$6,892

Per Seat - \$1,723

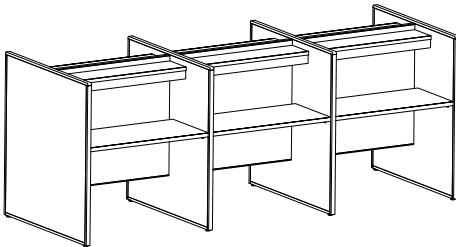


DV-CA-PC04-03

- (1) DV-CA-4842-4829-S-BS
 - (1) DV-CA-4842-4829-E-BS
- 4-Person combinationn

List Price - \$6,536

Per Seat - \$1,634

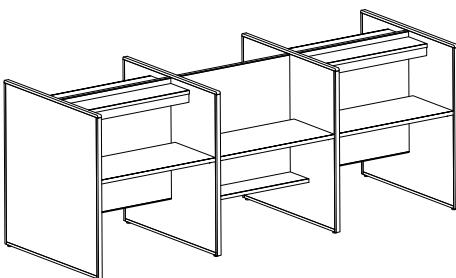


DV-CA-PC06-01

- (1) DV-CA-4842-4829-S-TS
 - (1) DV-CA-4842-4829-A-TS
 - (1) DV-CA-4842-4829-E-TS
- 6-Person combination

List Price - \$9,843

Per Seat - \$1,640

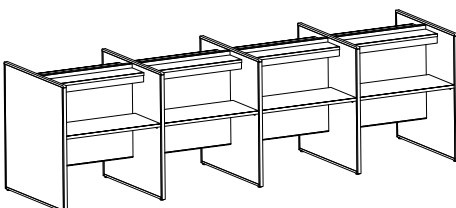


DV-CA-PC06-02

- (1) DV-CA-4842-4829-S-TS-SAB
 - (1) DV-CA-4842-4829-A-BS-SAT
 - (1) DV-CA-4842-4829-E-TS
- 6-Person combination

List Price - \$9,665

Per Seat - \$1,610



DV-CA-PC08-01

- (1) DV-CA-4842-4829-S-TS
 - (2) DV-CA-4842-4829-A-TS
 - (1) DV-CA-4842-4829-E-TS
- 8-Person combination

List Price - \$12,794

Per Seat - \$1,599

Accessories

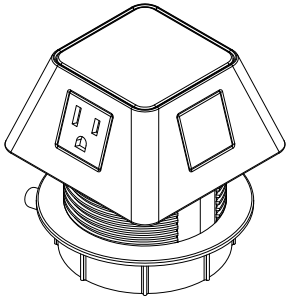
make Deveraux unique to you



Deveraux Accessories

Built-In Power & Data

The following products are **popular and frequently ordered accessories**. The catalog number, description, specifications, color options, and list prices are all provided. Contact project management for any further information.



LA-MOH4-202-C120

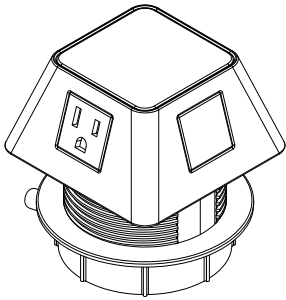
Moire (Hole Mount)

Power/Data - 2 Power; 2 Open Data

Power Supply - 120" Cord

Finish Options - Gloss White (-W); Gloss Black (-B)

List Price - \$222



LA-MOH4-211-C120

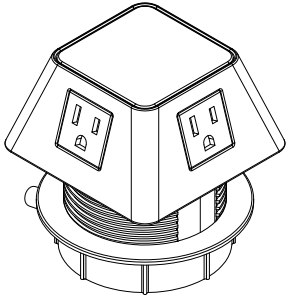
Moire (Hole Mount)

Power/Data - 2 Power; 1 USB; 1 Open Data

Power Supply - 120" Cord

Finish Options - Gloss White (-W); Gloss Black (-B)

List Price - \$307



LA-MOH4-310-C120

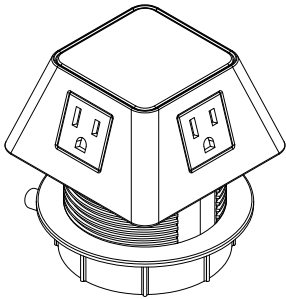
Moire (Hole Mount)

Power/Data - 3 Power; 1 USB

Power Supply - 120" Cord

Finish Options - Gloss White (-W); Gloss Black (-B)

List Price - \$307



LA-MOH4-400-C120

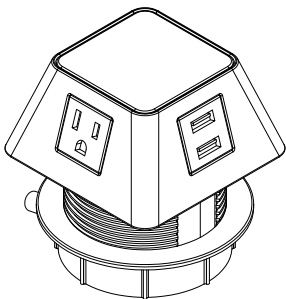
Moire (Hole Mount)

Power/Data - 4 Power

Power Supply - 120" Cord

Finish Options - Gloss White (-W); Gloss Black (-B)

List Price - \$278



LA-MOH4-220-C120

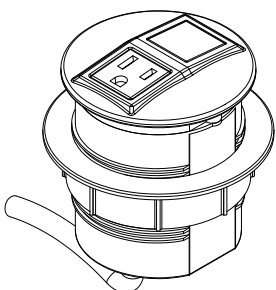
Moire (Hole Mount)

Power/Data - 2 Power; 2 USB

Power Supply - 120" Cord

Finish Options - Gloss White (-W); Gloss Black (-B)

List Price - \$379



LA-NOD2-101-C120

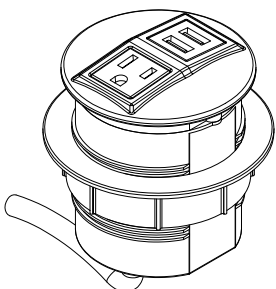
Node (Hole Mount)

Power/Data - 1 Power; 1 Open Data

Power Supply - 120" Cord

Finish Options - Parchment (-PP); Silver (-SP); Midnight (-MP)

List Price - \$165



LA-NOD2-110-C120

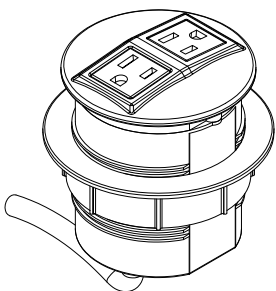
Node (Hole Mount)

Power/Data - 1 Power; 1 USB

Power Supply - 120" Cord

Finish Options - Parchment (-PP); Silver (-SP); Midnight (-MP)

List Price - \$250



LA-NOD2-200-C120

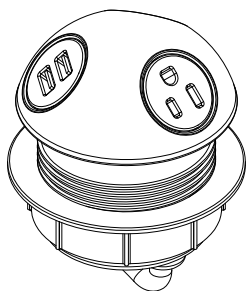
Node (Hole Mount)

Power/Data - 2 Power

Power Supply - 120" Cord

Finish Options - Parchment (-PP); Silver (-SP); Midnight (-MP)

List Price - \$173



LA-HEM3-210-C120

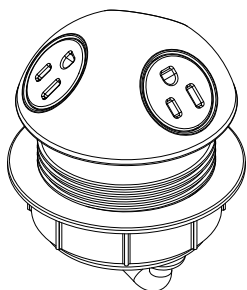
Hemisphere (Hole Mount)

Power/Data - 2 Power; 1 USB

Power Supply - 120" Cord

Finish Options - Soft Touch Plastic: Black (-B); White (-W); Green (-G); Orange (-O)

List Price - \$230



LA-HEM3-300-C120

Hemisphere (Hole Mount)

Power/Data - 3 Power

Power Supply - 120" Cord

Finish Options - Soft Touch Plastic: Black (-B); White (-W); Green (-G); Orange (-O)

List Price - \$230

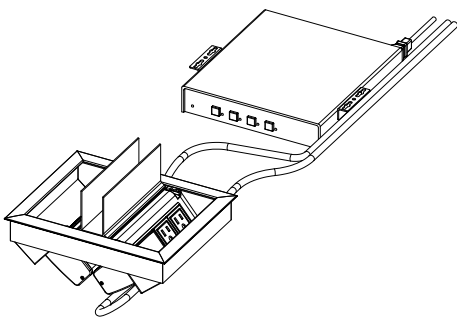
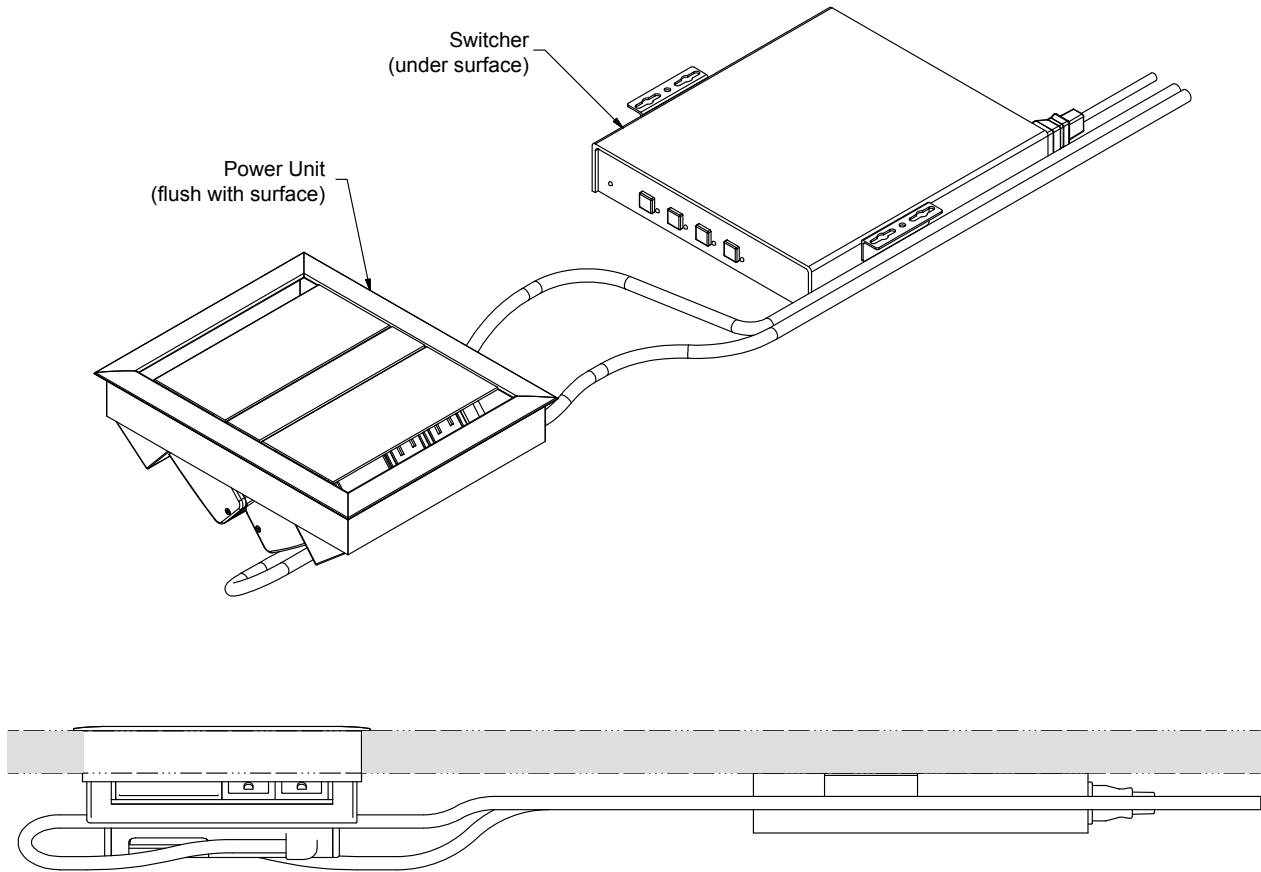
Suggested Item

Dropshare *an effective media sharing solution*

The unit dropshare accessories go with must have a power cutout in it.

The catalog number, description, specifications, color options, and list prices are all provided.

Contact project management for any further information.



LA-DSX4-4-200-C120

DropShare Media Sharing

User Configuration - 4-User

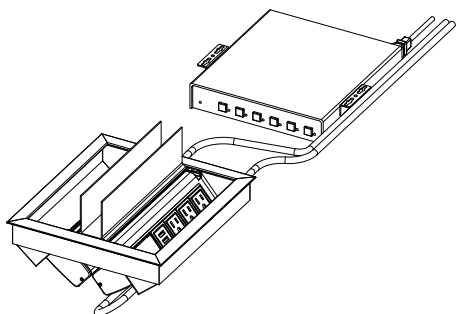
Video Input/Output - HDMI

Power/Data Configuration - 2 Power (each side)

Power Supply - 120" Cord

Finish Options - Clear Anodized (-SB); Black Anodized (-BB)

List Price - \$4,833



LA-DSX6-6-310-C120

DropShare Media Sharing

User Configuration - 6-User

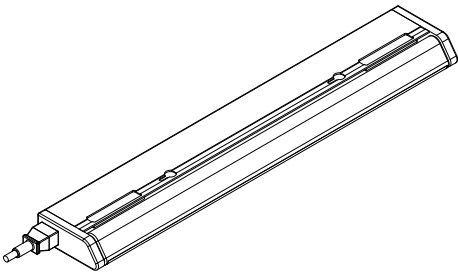
Video Input/Output - HDMI

Power/Data Configuration - 3 Power; 1 USB (each side)

Power Supply - 120" Cord

Finish Options - Clear Anodized (-SB); Black Anodized (-BB)

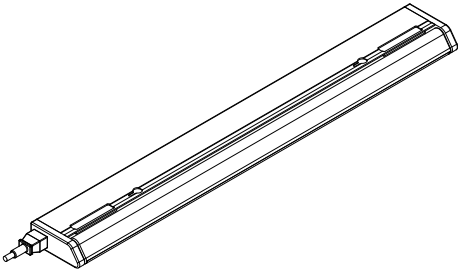
List Price - \$7,672



LA-PERNO-18L
Perno "L" LED Task Light - 18"

List Price - \$179

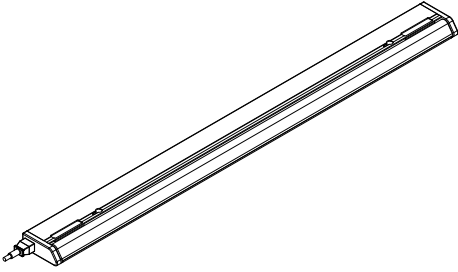
Occupancy Sensor - Yes (30 minute delay preset)
Watts/Luminous Flux - 6W / 401 Lumen
Size - 1-3/32" T x 3-11/32" W x 18-25/32" L
Light Type/Color - LED / Neutral White (4,100 °K)
Finish - Silver



LA-PERNO-24L
Perno "L" LED Task Light - 24"

List Price - \$191

Occupancy Sensor - Yes (30 minute delay preset)
Watts/Luminous Flux - 8W / 609 Lumen
Size - 1-3/32" T x 3-11/32" W x 24-17/32" L
Light Type/Color - LED / Neutral White (4,100 °K)
Finish - Silver



LA-PERNO-36L
Perno "L" LED Task Light - 36"

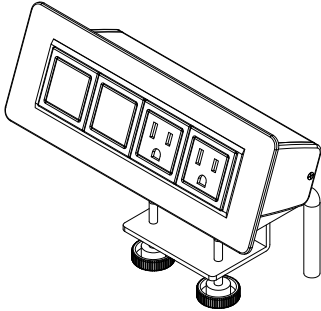
List Price - \$258

Occupancy Sensor - Yes (30 minute delay preset)
Watts/Luminous Flux - 14W / 997 Lumen
Size - 1-3/32" T x 3-11/32" W x 36-11/32" L
Light Type/Color - LED / Neutral White (4,100 °K)
Finish - Silver

Deveraux Accessories

Add-On Power & Data

The following products are **popular and frequently ordered accessories**. The catalog number, description, specifications, color options, and list prices are all provided. Contact project management for any further information.



LA-AXX4-202-C120

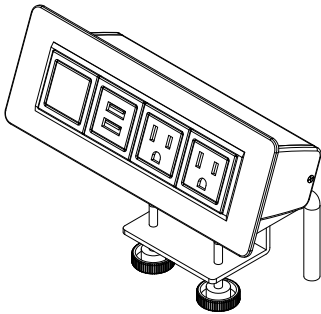
Axil X (Edge Mount)

Power/Data Configuration - 2 Power; 2 Open Data

Power Supply - 120" Cord

Finish Options - Gloss White (-W); Gloss Black (-B); Gloss Silver (-S)

List Price - \$308



LA-AXX4-211-C120

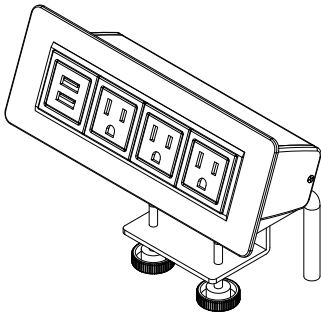
Axil X (Edge Mount)

Power/Data Configuration - 2 Power; 1 USB; 1 Open Data

Power Supply - 120" Cord

Finish Options - Gloss White (-W); Gloss Black (-B); Gloss Silver (-S)

List Price - \$387



LA-AXX4-310-C120

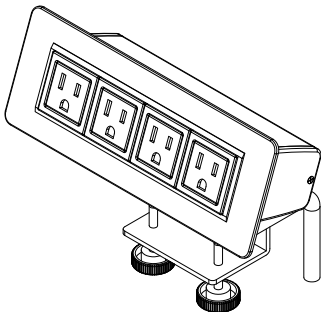
Axil X (Edge Mount)

Power/Data Configuration - 3 Power; 1 USB

Power Supply - 120" Cord

Finish Options - Gloss White (-W); Gloss Black (-B); Gloss Silver (-S)

List Price - \$403



LA-AXX4-400-C120

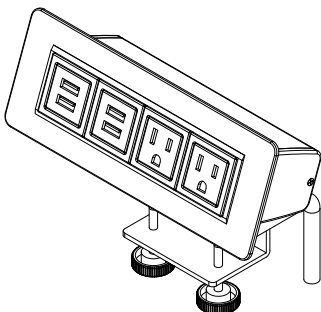
Axil X (Edge Mount)

Power/Data Configuration - 4 Power

Power Supply - 120" Cord

Finish Options - Gloss White (-W); Gloss Black (-B); Gloss Silver (-S)

List Price - \$414



LA-AXX4-220-C120

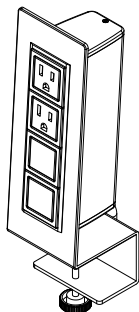
Axil X (Edge Mount)

Power/Data Configuration - 2 Power; 2 USB

Power Supply - 120" Cord

Finish Options - Gloss White (-W); Gloss Black (-B); Gloss Silver (-S)

List Price - \$465



LA-AXY4-202-C120

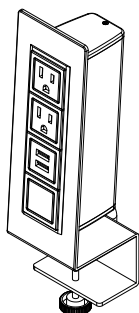
List Price - \$308

Axil Y (Edge Mount)

Power/Data Configuration - 2 Power; 2 Open Data

Power Supply - 120" Cord

Finish Options - Gloss White (-W); Gloss Black (-B); Gloss Silver (-S)



LA-AXY4-211-C120

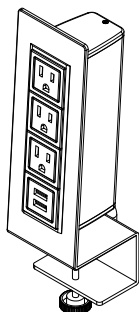
List Price - \$387

Axil Y (Edge Mount)

Power/Data Configuration - 2 Power; 1 USB; 1 Open Data

Power Supply - 120" Cord

Finish Options - Gloss White (-W); Gloss Black (-B); Gloss Silver (-S)



LA-AXY4-310-C120

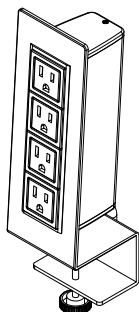
List Price - \$403

Axil Y (Edge Mount)

Power/Data Configuration - 3 Power; 1 USB

Power Supply - 120" Cord

Finish Options - Gloss White (-W); Gloss Black (-B); Gloss Silver (-S)



LA-AXY4-400-C120

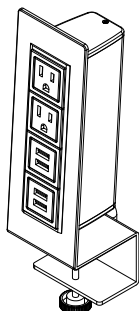
List Price - \$414

Axil Y (Edge Mount)

Power/Data Configuration - 4 Power

Power Supply - 120" Cord

Finish Options - Gloss White (-W); Gloss Black (-B); Gloss Silver (-S)



LA-AXY4-220-C120

List Price - \$465

Axil Y (Edge Mount)

Power/Data Configuration - 2 Power; 2 USB

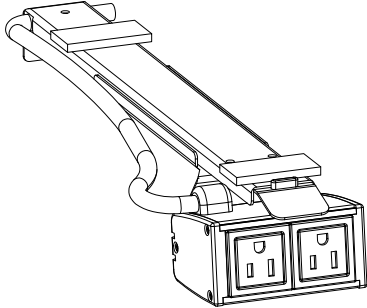
Power Supply - 120" Cord

Finish Options - Gloss White (-W); Gloss Black (-B); Gloss Silver (-S)

Deveraux Accessories

Add-On Power & Data

The following products are **popular and frequently ordered accessories**. The catalog number, description, specifications, color options, and list prices are all provided. Contact project management for any further information.



LA-ASR2-200-C120

Assemble Reveal (Under Surface)

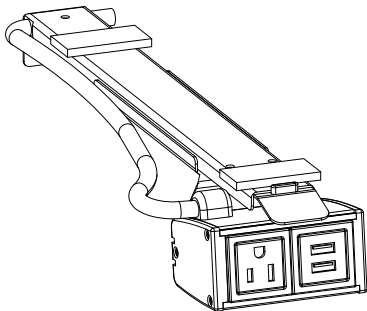
Power/Data Configuration - 2 Power

Power Supply - 120" Cord

Finish - Silver Aluminum

Trim Color Options - White (-WT); Black (-BT); Silver (-ST)

List Price - \$335



LA-ASR2-110-C120

Assemble Reveal (Under Surface)

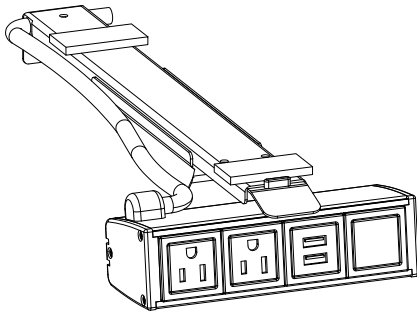
Power/Data Configuration - 1 Power; 1 USB

Power Supply - 120" Cord

Finish - Silver Aluminum

Trim Color Options - White (-WT); Black (-BT); Silver (-ST)

List Price - \$400



LA-ASR4-211-C120

Assemble Reveal (Under Surface)

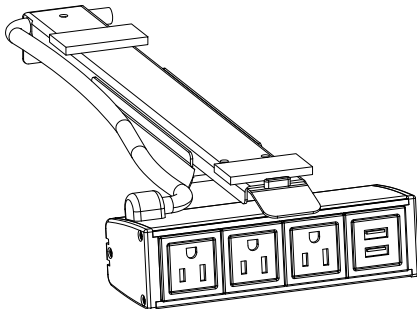
Power/Data Configuration - 2 Power; 1 USB; 1 Open Data

Power Supply - 120" Cord

Finish - Silver Aluminum

Trim Color Options - White (-WT); Black (-BT); Silver (-ST)

List Price - \$424



LA-ASR4-310-C120

Assemble Reveal (Under Surface)

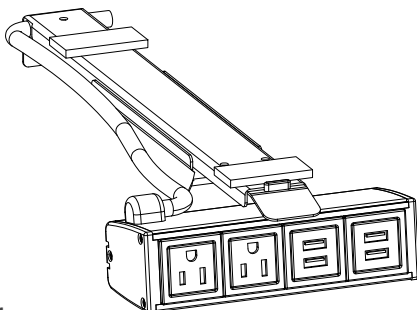
Power/Data Configuration - 3 Power; 1 USB

Power Supply - 120" Cord

Finish - Silver Aluminum

Trim Color Options - White (-WT); Black (-BT); Silver (-ST)

List Price - \$441



LA-ASR4-220-C120

Assemble Reveal (Under Surface)

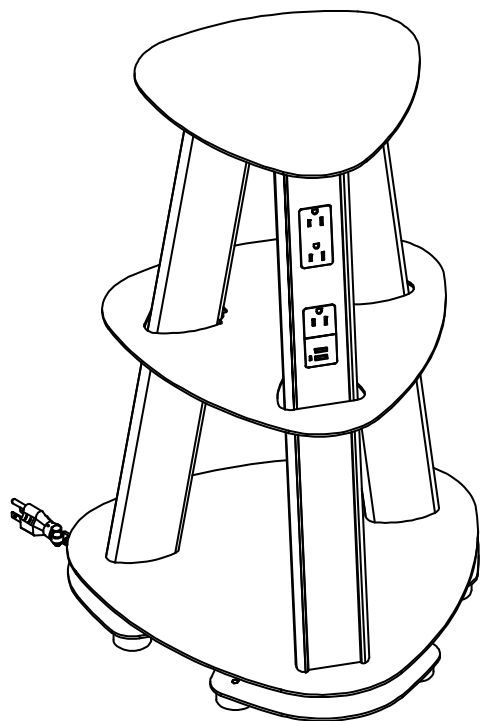
Power/Data Configuration - 2 Power; 2 USB

Power Supply - 120" Cord

Finish - Silver Aluminum

Trim Color Options - White (-WT); Black (-BT); Silver (-ST)

List Price - \$502



Suggested Item

ISLE *a free standing charging hub*

LA-ISLE-930-C108

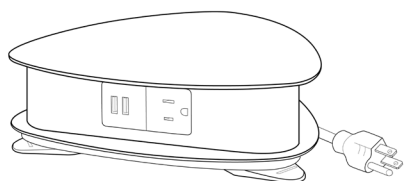
Power/Data Configuration - 9 Power; 3 USB

Power Supply - 108" Cord

Finish Options - Gloss White (-GW) Gloss Black (-GB) Silver Pearl (-S)

Size - 18"W x 18"L x 25-1/2"H

List Price - \$1,679



LA-DRI6-330-C108

Drifter (Free Standing - Table Top)

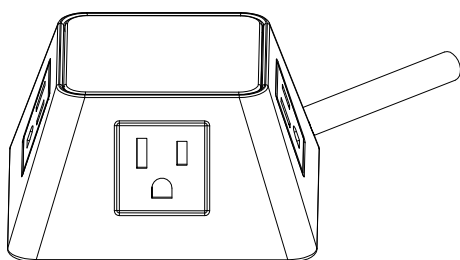
Power/Data Configuration - 3 Power; 3 USB

Power Supply - 108" Cord

Finish Options - Gloss White (-GW); Gloss Black (-GB); Silver Pearl (-S)

Size - 10"W x 10"L x 2-7/8"H

List Price - \$707



LA-MOT4-400-C120

Moire (Free Standing - Table Top)

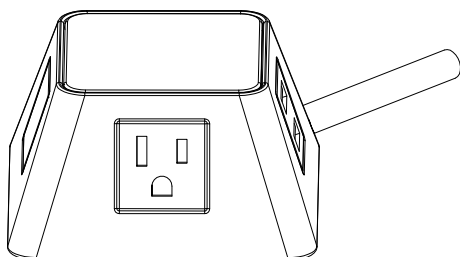
Power/Data Configuration - 4 Power

Power Supply - 120" Cord

Finish Options - Gloss White (-W); Gloss Black (-B)

Size - 3-7/8"W x 3-7/8"L x 2"H

List Price - \$257



LA-MOT4-21B-C120

Moire (Free Standing - Table Top)

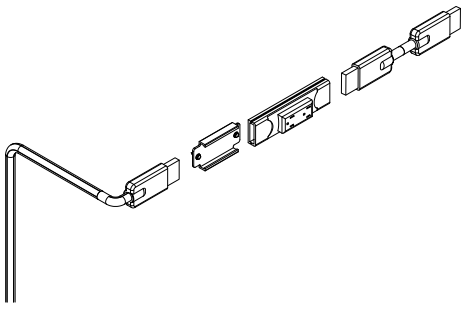
Power/Data Configuration - 2 Power; 1 USB; 1 Blank

Power Supply - 120" Cord

Finish Options - Gloss White (-W); Gloss Black (-B)

Size - 3-7/8"W x 3-7/8"L x 2"H

List Price - \$284



4TRAC

4-Trac Power Supply System

Power System - 4 wires; 2 circuits; 20 Amps each

Power Supply - Cord and hardwire power options available

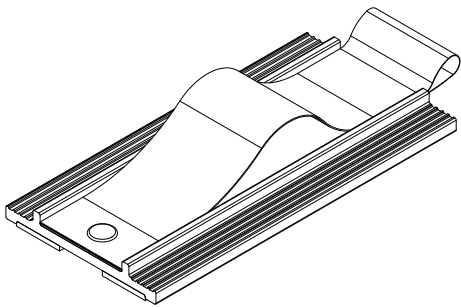
Power Output - Allows up to 26 duplex receptacles (13 per circuit)

Contact Project Management for Configuration & Pricing

Deveraux Accessories

Add-On Wire Management

The following products are **popular and frequently ordered add-on wire management accessories**. The catalog number, description, specifications, color options, and list prices are all provided. Contact project management for any further information.



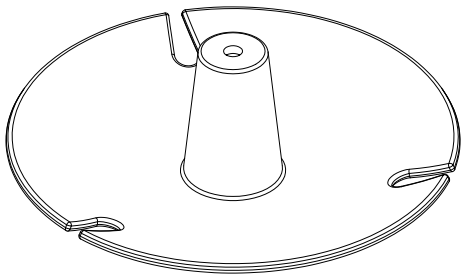
LA-WM7

VELCRO Wire Management Guide

Size - 1-3/4" x 3-1/2"

Color - Black

List Price - \$13



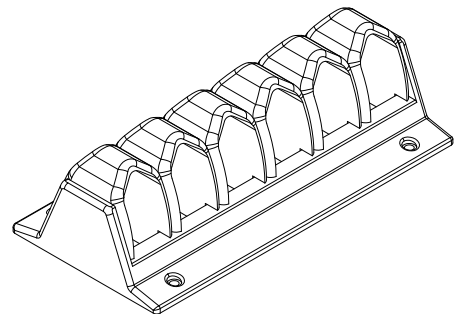
LA-WM24-90M

Under Counter Sombrero Cable Wrap

Size - 1-17/32"T x 4"Dia

Color - Black

List Price - \$20



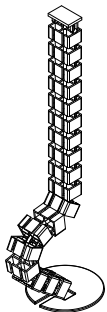
LA-WM23B-90

Cable Management Flexible Loop Guide

Size - 1-5/8"T x 2-19/32"W x 3-5/8"L

Color - Black

List Price - \$45



LA-WM16

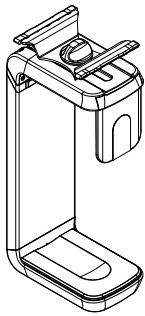
Snake Wire Manager

Size - 31-1/8"L

Color - Metallic Silver (-23); Black (-90)

List Price - \$160

The following products are **popular and frequently ordered monitor arm & CPU holder accessories**. The catalog number, description, specifications, color options, and list prices are all provided. Contact project management for any further information.



LA-CPU600

List Price - \$196

Vertical Hanging CPU Holder (Fixed Mount)

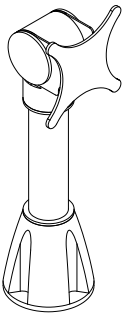
Size Adjustments - Fits CPUs 3.6" - 9" wide by 12" - 120" high

Track Length - 16"

Maximum CPU weight - 30 pounds

Rotation - 360°

Colors - White/Brushed Aluminum (-W); Black/Brushed Aluminum (-B)



LA-9189

List Price - \$354

POS Through-Counter Mount

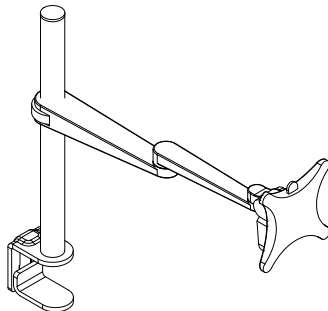
Installation - Tube passes through counter and has internal cable routing

Adjusting - Quickly adjust monitor height from 7" - 12", Pivot, turn, or lock

Supports monitors up to 25 pounds

Color - Dark Grey

Supports monitors, signature capture devices, kiosks and more



LA-5800-S-14-DC

List Price - \$541

EVO Pole Arm

Rotation - 360° at two joints; 180° at base

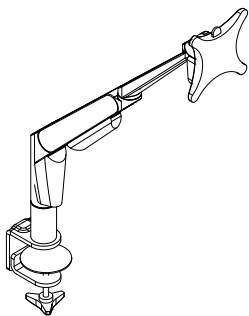
Monitor Tilt - 90° up & 20° down; Landscape/Portrait Pivot

Monitor Compatibility - VESA 75mm and 100mm

Monitor Weight - Up to 20 pounds (9.0 kg)

Mounting Options - Desk Edge; Grommet; Thru-Desk

Colors - Silver Powder Coat (-124); Vista Black Powder Coat (-104)



LA-5700-DC-SPM

List Price - \$639

EVO LCD Arm

Rotation - 360° at two joints; 180° at base

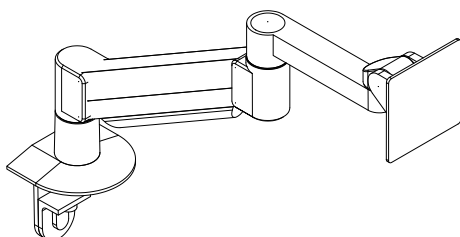
Monitor Tilt - 90° up & 20° down; Landscape/Portrait Pivot

Monitor Compatibility - VESA 75mm and 100mm

Monitor Weight - 7 - 20 pounds (3.2 - 9.0 kg)

Mounting Options - Desk Edge; Grommet; Thru-Desk

Colors - Silver Powder Coat (-124); Vista Black Powder Coat (-104)



LA-7000

List Price - \$780

Flexible Flat Panel Radial Arm

Rotation - 360° at three joints

Monitor Tilt - 180° down from center; Landscape/Portrait Pivot

Monitor Compatibility - VESA 75mm and 100mm

Monitor Weight - 2 - 13 pounds (0.9 - 5.9 kg)

Mounting Options - Desk Edge; Grommet; Thru-Desk

Colors - Silver (-124); Linen White (-232); Vista Black (-104)

Terms and Conditions

Deveraux Terms and Conditions

The following terms & conditions apply to all LIAT, LLC products.

1. ACCEPTANCE, MODIFICATION, ASSIGNMENT: By placing this order for furniture, material or other products (sometimes collectively referred to as "Goods"), Customer agrees to these Terms and Conditions which shall prevail over inconsistent provisions in any other form or document of Customer. No change or modification shall be applicable unless set forth in writing and signed by Company. Neither this order nor any interest therein shall be assigned by Customer except with the prior written consent of Company.

2. PRICING: LIAT, LLC assumes no responsibility for the quantities or the interpretation of competitive product. Pricing is based on standard LIAT furniture including standard construction, materials, finishes and sizes. Unit prices shall prevail. Pricing subject to change without notice. Prices are those in effect at the time of order entry.

3. PAYMENT: Customer agrees to pay deposit or down payment as required by Company. Customer agrees to pay to Company the amount indicated on the Invoice, 1% 15 days, net 30 days from date of Invoice (U.S. Funds only), for Goods ordered. **INTEREST WILL BE CHARGED AFTER 30 DAYS FROM THE DATE OF INVOICE AT THE RATE OF ONE AND A HALF PERCENT (1.5%) PER MONTH.** International sales will require additional payment arrangements. No Goods shall be sold on consignment or conditional sales basis. Payment for the Goods delivered hereunder shall constitute acceptance thereof.

4. DELIVERY: The specific terms of delivery are as stated on the sales order acknowledgment. Goods which are delivered in advance of schedule are delivered at the risk of Customer. The Company is not liable for delays or failure to ship due to fire, strike, act of God, the public enemy or other causes beyond the control of the Company. With respect to LIAT, LLC, all shipments which are F.O.B. Factory or Delivered, LIAT, LLC reserves the right to select the appropriate carrier. Special requests including, but not limited to, inside delivery, installation, and call before delivery are not included in the price. Any charges arising from failure to meet shipment, rerouting while in transit, or carrier storage charges are the responsibility of the Customer.

*LIAT product is shipped knocked down. Assembly in the field is required.

5. CARE AND MAINTENANCE: To maintain your LIAT product for years of use, please follow these care and maintenance guidelines:

Wood Care and Maintenance: Use a damp, lint free cotton cloth for general dusting. Work with the grain of the wood.

Laminate Tops: Laminates may be cleaned using a damp cloth and mild soap.

Marmoleum Tops: Marmoleum can be maintained by dry or wet maintenance systems. For detailed product specifications or maintenance information, contact Forbo Industries Support Services at 1-800-842-7839 or visit their website www.forbo-industries.com.

Metal Finishes: Mix a solution of liquid soap and warm water. Saturate a clean cloth with this mixture. Wipe down metal then dry completely.

Acrylic Products: Use only products specifically recommended for cleaning acrylic, or a mild solution of dish detergent and warm water. Do **NOT** use any cleaner containing ammonia to clean your acrylic products. Do **NOT** use a dry cloth or your hand to clean the acrylic - this will rub the dirt and dust into the acrylic and can scratch the surface.

Fabric Care: The ability to be cleaned will vary based on the type of fabric. For best results, a professional service is recommended. Dirt and crumbs may be gently brushed or vacuumed off. Spill should be wiped up immediately with a cloth. If upholstery has been protected with Scotchgard or Zepel, the coating should be re-applied yearly. Vinyl textiles can be cleaned with warm soapy water and then wiped down with a warm damp cloth.

6. CLAIMS. All shipments are delivered to the carrier in good condition and

Company's liability ceases after acceptance by carrier. If shipment arrives short or damaged, the Customer must file a claim immediately with the carrier. In the event of concealed damage, notify carrier and request an immediate inspection. Keep all cartons and packing material. Failure to file claim within 15 days after receipt of Goods constitutes acceptance and a waiver of any such claims

7. DISCLAIMER OF WARRANTIES: The express warranties below are the Company's sole warranties of its Goods, there are no understandings, agreements, representations, or warranties, express or implied (including any regarding the merchantability or fitness for a particular purpose), not specified herein, respecting the Goods. Except for those obligations of the Company identified in these Terms and Conditions, all risks related to the quality and performance of the Goods and responsibility for repair or service costs rests solely on the Customer. Company reserves the right to limit the applicable warranty to the Goods depending upon the division or catalogue through which said Goods were sold. Some states do not allow limitations on implied warranties, limitations on how long an implied warranty lasts, or the exclusion or limitation of incidental or consequential damages, so the above limitations may not apply to all Customers. This warranty gives the Customer specific legal rights, and each Customer may also have other rights which vary from state to state.

8. EXPRESS WARRANTIES: The express warranties of the Company are as follows:

LIAT, LLC

LIAT, LLC WARRANTS TO THE ORIGINAL PURCHASER THAT EACH CASEGOOD WILL BE FREE FROM DEFECTS IN WORKMANSHIP GIVEN NORMAL USE FOR A PERIOD OF TWENTY (20) YEARS OF SINGLE SHIFT SERVICE. LIAT WARRANTS THEIR SEATING PRODUCTS TO THE ORIGINAL PURCHASER THAT EACH PIECE OF FURNITURE WILL BE FREE FROM DEFECTS GIVEN NORMAL USE FOR FIVE (5) YEARS. LIAT, LLC WILL, AT ITS OPTION, REPAIR OR REPLACE ANY DEFECTIVE FURNITURE WITHIN THE TERMS OF THE WARRANTY. THIS WARRANTY DOES NOT APPLY TO DAMAGE RESULTING FROM ACCIDENT, ALTERATION, OR MISUSE. ALL LIAT ELECTRICAL COMPONENTS AND ACCESSORIES ARE WARRANTED TO THE EXTENT OF THE ORIGINAL MANUFACTURER.

Goods other than furniture are sold by Company to Customer without warranty.

9. ATTORNEYS' FEES: Customer shall be responsible for all expenses and costs in connection with the enforcement by Company of these Terms and Conditions and the costs of collection (including the fees of any collection agencies to whom the Customer's account may be referred), plus reasonable attorneys' fees (which attorneys' fees shall not be less than 25% of the amount due, unless a lower amount is specified by applicable law).

10. CANCELLATION: All cancellations must be made in writing. Administrative and/or labor charges may be incurred by the Customer depending upon the production stage of the order. Orders specifying special finish cannot be cancelled once finishing has begun. Cancellations cannot be accepted once final production has begun.

11. ORDER CHANGES: All changes to an order must be made in writing and are subject to Company's ability to conform. Administrative and/or labor charges may be incurred by the Customer depending upon the production stage of the order. Once final production has begun, no changes can be accepted.

12. REMEDIES: The remedies herein reserved shall be cumulative, and additional to any other or further remedies provided in law or equity. No waiver of a breach of any provision of these Terms and Conditions shall constitute waiver of any other breach or of such provision.

13. INSOLVENCY: Company may forthwith cancel this order in the event of the happening of any of the following or any other comparable event: insolvency of the Customer, the filing of a voluntary petition in bankruptcy, the filing of any involuntary petition to have Customer declared bankrupt provided it is not vacated within thirty (30) days from the date of filing, the appointment of a receiver or trustee for Customer provided such appointment is not vacated within thirty (30) days from the date of such appointment, or the execution by Customer of an assignment for the benefit of creditors.

14. LIMITATION OF LIABILITY: The Company shall not under any circumstances be liable to the Customer, owner of the Goods or any third party for special, indirect, incidental, or consequential damages, including, without limitation, loss of profits or revenues, loss or damage to other property or equipment, cost of capital or of purchased or replacement goods, or expense, delay or inconvenience caused by or arising from the purchase, sale, use, repair or inability to use the Goods or by any performance or non-performance under, or breach of, these Terms and Conditions. The Company's sole liability for any defective Goods shall be its repair or its replacement pursuant to the Express Warranties set forth above, or if amended, as applicable at the time of manufacture or repair of the Goods. Some states do not allow the exclusion or limitation of incidental or consequential damages, so the above limitations or exclusion may not apply to all Customers. Any action resulting from any breach on the part of Company as to the Goods or services delivered hereunder must be commenced within one year after the cause of action has occurred.

15. RETURNS AND ALLOWANCES: Reasonable touch-up and deluxing is the dealer's responsibility. The Company will not make allowances for trip or delivery charges, but will only make allowance for actual work performed to correct manufacturing defects. Allowances may be authorized only by a Company officer. It is the responsibility of the field sales representatives to inspect any defective merchandise and make suggestions and recommendations as to the proper disposition. Field personnel cannot obligate or bind the Company by definite agreement, without final authorization by a Company officer. Company will not accept automatic charge backs which do not have prior authorization. All defects must be called to the Company's attention upon arrival at the Customer's "Ship To" destination. To initiate any type of claim or request for parts, it is imperative to have the model number or fabric number, which may be located on the tag attached to the frame of the unit. Authorization for return to the Company for any reason must be issued by the Company via a Return Goods Authorization. Any authorized returns not due to damage or defect will be assessed a 30% restocking charge and all return freight charges must be prepaid. Company will not issue credit allowances for any repairs without Company's prior consent. Under no circumstances shall the Company accept COD (Cash on Delivery) returns, and any such shipment will be refused.

16. SECURITY AGREEMENT: The Company may require and Customer shall grant a security interest in Goods sold pursuant to any credit the Company may extend to the Customer.

17. GOVERNING LAW: All disputes between the parties, whether or not arising out of these Terms and Conditions, will be governed by the laws of the State of North Carolina. Customer agrees to submit to the jurisdiction of and agrees all lawsuits relating to any disputes between the Customer and the Company will be brought only in a state court located in Dubois County, North Carolina or the United States District Court for the Southern District of

North Carolina. THE CUSTOMER HEREBY WAIVES THE RIGHT TO A TRIAL BY JURY IN ANY ACTION, PROCEEDING, CLAIM, OR COUNTERCLAIM WHETHER IN CONTRACT OR TORT, AT LAW OR IN EQUITY, ARISING OUT OF OR RELATING IN ANY WAY TO THESE TERMS AND CONDITIONS AND ALL OTHER DISPUTES BETWEEN THE PARTIES.

18. MITIGATION: If the Company repossesses the Goods prior to payment by the Customer of all amounts due hereunder, the Company may sell the Goods, AS IS, WHERE IS, free and clear of all rights of the Customer at either public or private sale, and apply the net proceeds (after deducting expenses of repossession and sale) to the obligation of Customer hereunder. The Customer shall remain liable for any deficiency. THE COMPANY MAY DISPOSE OF THE GOODS IN ANY COMMERCIALY REASONABLE PLACE AND MANNER AND THE CUSTOMER WAIVES ANY NOTICE OF TIME, PLACE AND MANNER OF SALE.

19. INTEGRATION: This order for Goods, including these Terms and Conditions, along with any Credit Application, Invoice, Statement, Dealer Contract, Acknowledgment, Bill of Lading (and any exhibits, addenda or amendments thereto) of which this order may be a part, constitutes the sole and complete agreement between the Company and the Customer with respect to the purchase of the Goods.

20. DIMENSIONS/SPECIFICATIONS/FINISHES: All dimensions are approximate and may vary due to the upholstery technique of each craftsman. If exact dimensions are required, it is necessary for the Customer to state such specifications with the order. Detailed specification sheets are available for each series of Goods, and Customer should consult the Company's Customer Service Department for these specification sheets. Company reserves the right to make changes in dimensions, style, or specifications if Company believes these changes will improve the Goods' quality or appearance. Company reserves the right to substitute hardwoods due to availability at production. Due to the natural characteristics of wood, environmental effects, and material upgrades, the Company cannot guarantee exact finish matches on existing Goods previously ordered from Company. If an exact match to Customer's existing Goods are required, it must be specified so that the proper procedures can be followed to ensure an acceptable finish. Company will accept no liability for the finish if this procedure is not followed. Company reserves the right to make changes in a finish formula if Company believes the change will improve the quality or appearance of Company's Goods.

21. ACKNOWLEDGEMENT: All orders will be acknowledged promptly, showing how the order was entered, the approximate shipping time and other pertinent information. It is the Customer's obligation to examine this acknowledgment carefully and notify Company immediately of any discrepancies. Every reasonable effort is made to ship as acknowledged, however, the acknowledged ship date is approximate. Company will generally ship within five (5) working days of the acknowledged ship date. If a firm ship date is necessary, Customer must inform Company at time of order and Company will make all reasonable efforts to meet each Customer's request. Acknowledged shipping dates are contingent upon the force majeure conditions contained in these Terms and Conditions.

22. COMPANY'S PERFORMANCE OF ITS OBLIGATIONS: The production and delivery of the Goods to the extent delayed or hindered or prevented from the performance by reason of natural disasters, acts of God, strikes, lockouts, labor troubles, inability to procure materials, casualties, failure of power, restrictive governmental laws or regulations, riots, insurrection, acts of terrorism, war or other reason of a like nature not the fault of the Company shall excuse for the period of the delay the Company's performance and the period for the performance shall be extended for a period equivalent to the period of such delay.

GSA Terms and Conditions

Contractor: LIAT LLC, dba Jasper Library Furniture
Business Size: Small Business
Cage Code: 6BHB5
Contract Number: GS-28F-004AA
Contract Period: 10/10/12 thru 10/09/17

694 North Main Street
Troutman, NC 28166
Phone: 888.440.8205
Fax: 704.528.6519
Web Site: www.liatfurniture.com
E-mail: blish@liatfurniture.com
Contract Administration: Brian Lish

- 1a. Item Description: Furniture Systems and Workstation Clusters Special Item Numbers (SIN) Awarded: SIN 71-305 Library Furniture
2. Maximum Order: \$100,000.00 net
3. Minimum Order: \$100.00 net
4. Geographic Coverage: 48 Contiguous States, including the District of Columbia, Alaska, Hawaii, and Puerto Rico.
5. Point of Production: Same as company address
6. Discount: 58.5% off of list price (inclusive of IFF)
7. Quantity Discounts: None
8. Prompt Payment Terms: 1% discount for payments received in less than 20 days.
- 9a. Government Commercial Credit Card: Government commercial credit cards (Visa & MC) are not accepted.
- 9b. Discount for Government Credit Card: N/A
10. Foreign Items: None
- 11a. Time of Delivery: 6 to 8 weeks.
- 11b. Expedited Delivery: Negotiated on an order by order basis.
- 11c. Overnight and 2-Day Delivery: Contact contractor for availability and additional shipping charges.
- 11d. Urgent Requirements: Available upon request.
12. F.O.B Point: Destination

- 13a. Ordering Address: Same as Contractor
14. Payment Address: Same as company address.
15. Warranty Provisions: LIAT warrants their casegoods to the original purchaser that each piece of furniture will be free from defects in workmanship given normal use for a period of twenty years. LIAT will, at its option, repair or replace any defective merchandise within the terms of the warranty. LIAT warrants their seating products to the original purchaser that each piece of furniture will be free from defects in workmanship given normal use for five years. The casegoods and seating warranties do not apply to damage resulting from accident, alteration, or misuse. All LIAT electrical components and accessories are warranted to the extent of the original manufacturer.
16. Export Packing Charges: N/A
17. Terms and Conditions of Government Commercial Credit Card Acceptance: N/A
18. Terms and Conditions of rental, maintenance, and repair: N/A
19. Terms and Conditions of Installation: Negotiated on a case by case basis with the participating dealer.
20. Terms and Conditions of Repair Parts: N/A
21. List of Service and Distribution Points: N/A
22. Participating Dealer: Contact LIAT for a list of participants.
23. Preventative Maintenance: N/A
- 24a. Environmental Attributes: N/A
25. Data Universal Numbering System (DUNS) number: 038281451
26. Notification regarding registration in Central Registration (CCR) database: Registered

LIAT 

design the furniture. *innovate* the space. *engage* the users.

liatfurniture.com

694 North Main Street · Troutman, NC 28166
TF 888 440 8205 · F 704 528 6519